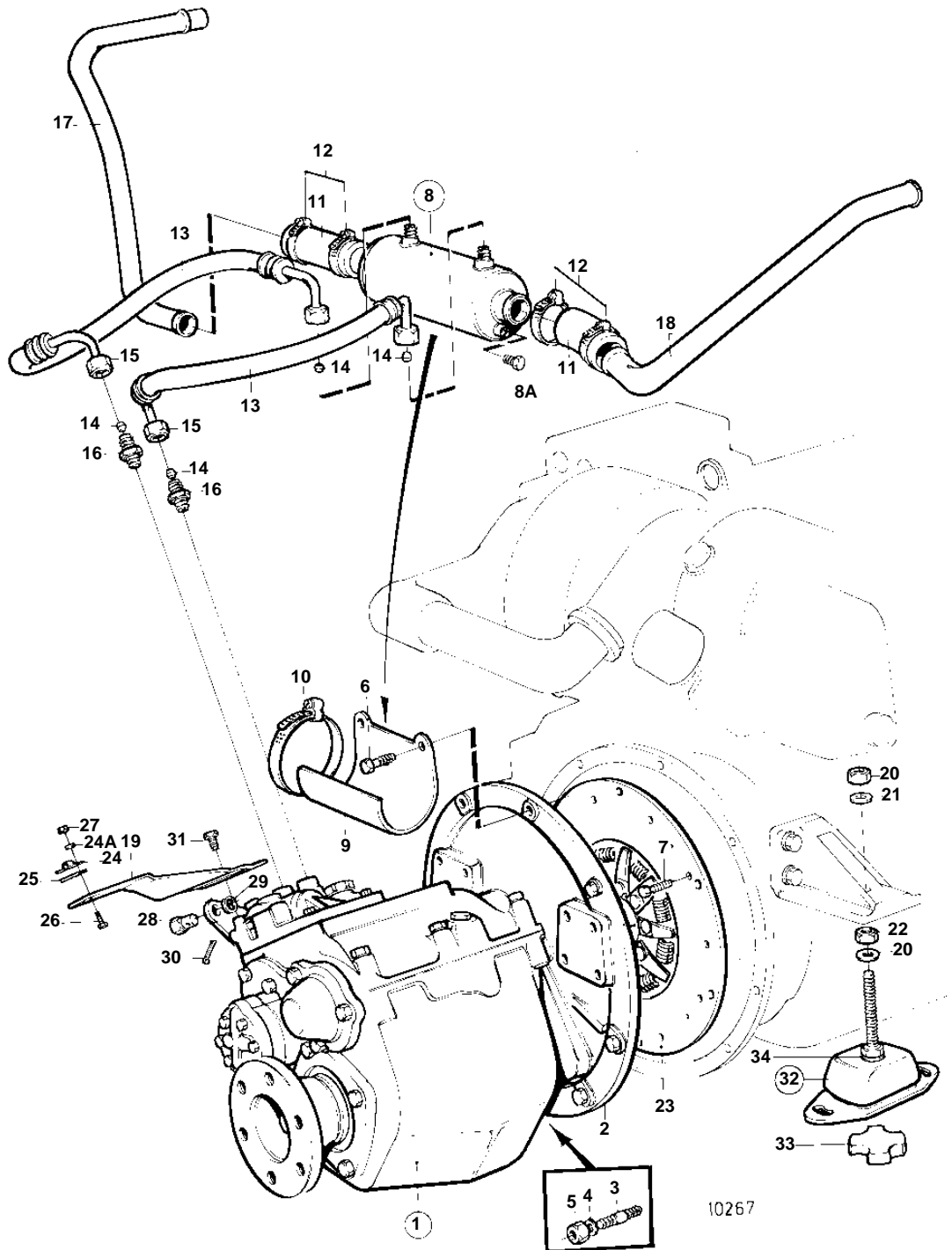


TAMD31A



TAMD31A

REF	PART NO.	QTY	DESCRIPTION	SEE SEC.	NOTES
1		1	PRM301		RATIO 2:1,3:1
		1	PRM302		RATIO 2:1,3:1
		1	PRM401		RATIO 2:1,3:1,4:1
		1	PRM402		RATIO 2:1,3:1,4:1
2		1	COVER		PRM
3	924075	3	Stud		
4	960148	3	Washer		
5	955783	3	Nut		
6	946472	8	Screw		
7	946173	6	Flange screw		
8	855756	1	Oil cooler		(841172)
8A	180759	1	· Plug		
9	858618	1	Bracket		
10	961674	2	Clamp		
11	949315	2	Hose		L = 60 MM
12	961669	4	Hose clamp		
13	841171	2	Hose		
14	956970	4	Ferrule		
15	956984	4	Nut		
16	941750	2	Nipple		
17	859193	1	Coolant pipe		
18	858616	1	Coolant pipe		
19	858366	1	Bracket		
20	955805	4	Nut		
21	941912	2	Spring washer		
22	191940	2	Washer		
23	858941	1	Absorber		
24	819067	1	Brace		
24A	940090	2	Washer		
25	819068	1	Washer		
26	955246	2	Screw		
27	946577	2	Lock nut		
28	833133	1	Cube		
29	955892	2	Washer		
30	17276	1	Cotter pin		
31		2	SCREW		
32	858160	2	Rubber cushion		
			Bulletin 44-26	44-26-EN	Reinforced Rubber Cushion
33	843299	2	· Rubber disc		
34	955900	2	· Washer		