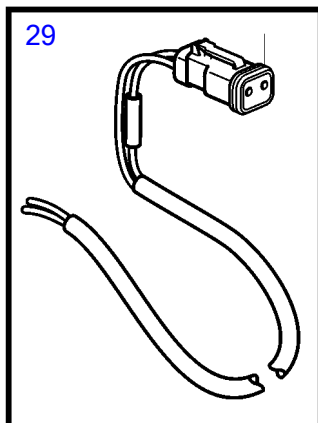
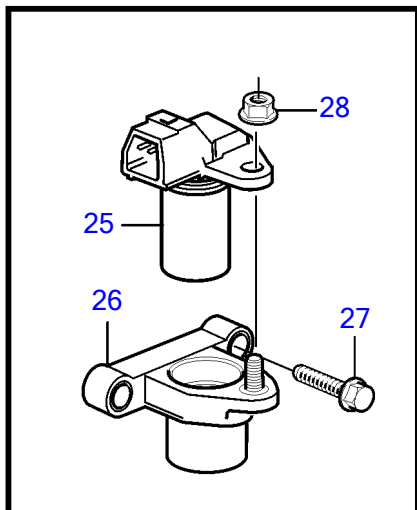
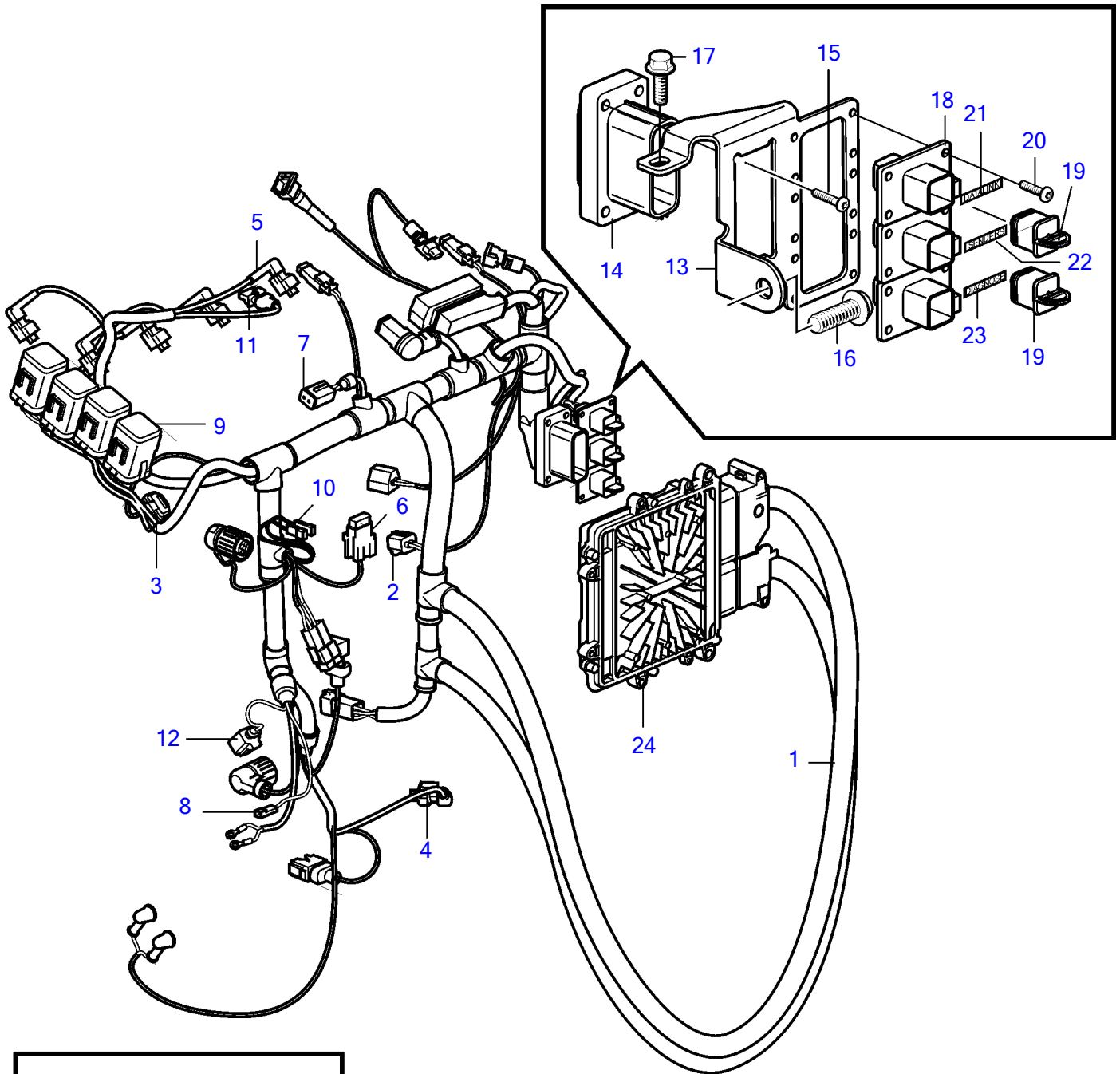


D3-110I-D, D3-110I-E, D3-110I-F, D3-140I-E, D3-140I-F, D3-140A-D, D3-140A-E, D3-140A-F, D3-150I-D, D3-150I-E, D3-150I-F, D3-170I-D, D3-170I-E, D3-170I-F, D3-170A-D, D3-170A-E, D3-170A-F, D3-200I-D, D3-200I-E, D3-200I-F, D3-200A-D, D3-200A-E, D3-200A-F, D3-220I-D, D3-220I-E, D3-220I-F, D3-220A-D, D3-220A-E, D3-220A-F



24884

D3-110I-D, D3-110I-E, D3-110I-F, D3-140I-E, D3-140I-F, D3-140A-D, D3-140A-E, D3-140A-F, D3-150I-D, D3-150I-E, D3-150I-F, D3-170I-D, D3-170I-E, D3-170I-F, D3-170A-D, D3-170A-E, D3-170A-F, D3-200I-D, D3-200I-E, D3-200I-F, D3-200A-D, D3-200A-E, D3-200A-F, D3-220I-D, D3-220I-E, D3-220I-F, D3-220A-D, D3-220A-E, D3-220A-F

REF	PART NO.	QTY	DESCRIPTION	SEE SEC.	NOTES
1	21375785	1	Wiring harness		Replaced by 21446505
	21446505	1	Wiring harness		Replaced by 21532247
	21532247	1	Wiring harness		
2	9469830	1	• Receptacle housing		
3	874455	1	• Receptacle housing		3-pole
4	874456	1	• Receptacle housing		4-pole
5	8622455	1	• Receptacle housing		3-pole, Marked Bosch.
6	873852	1	• Fuse holder		
7	874957	1	• Housing		4-pole
8	949597	1	• Housing		1-way.
9	21400091	1	• Relay		
			•	35765	
10	949597	2	• Housing		1-way.
11	970753	1	• Housing		2-pole.
12	977929	1	• Housing		3-pole
13	21225475	1	• Bracket		
14	992329	1	• Housing		
15	969405	4	• 6 point socket screw		M5x12mm
16	946671	1	• Flange screw		M8x30mm
17	946544	1	• Flange screw		M6x16mm
18	992330	1	• Housing		
19	3840433	2	• Sealing plug		
20	969278	12	• 6 point socket screw		
21	21243308	1	• Decal		Datalink
22	21227098	1	• Decal		Senders
23	21227096	1	• Decal		Diagnose
24	21092158	1	Control unit		
	3586269	1	Software		For warehouse programming
	3586268	1	Software		For Vodia programming
25	31331765	1	Sensor		Mounted on Flywheel Housing
26	30637803	1	Bracket		
27	977814	2	Flange screw		
28	949278	1	Flange lock nut		
29	3840677	1	Connecting cable		For fire extinguishing equipment
			• Bulletin P-97-2-1	P-97-2-1-EN	Fire Extinguisher Cable