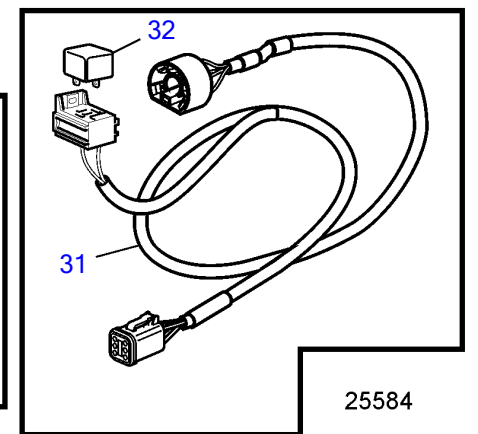
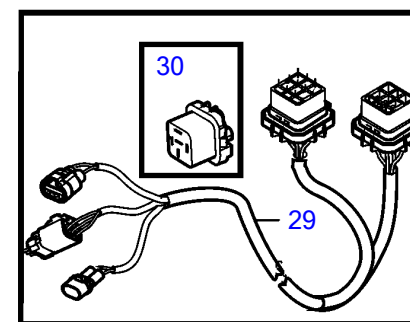
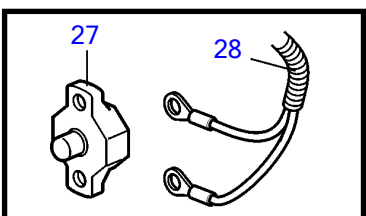
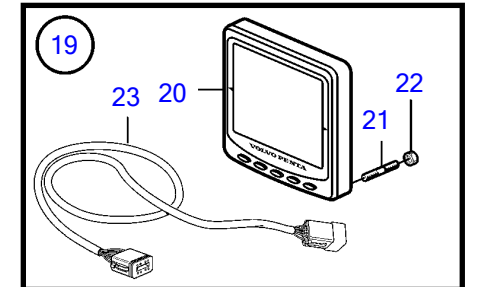
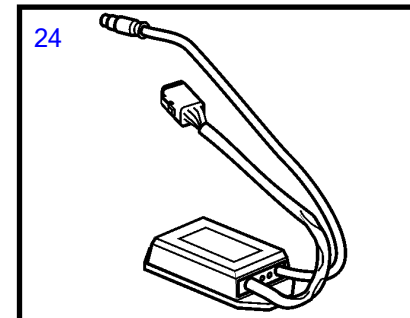
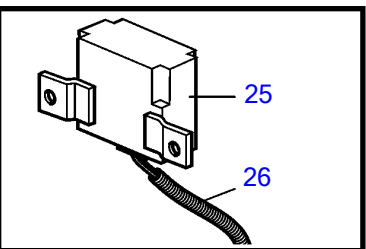
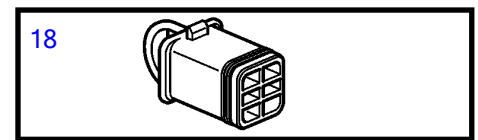
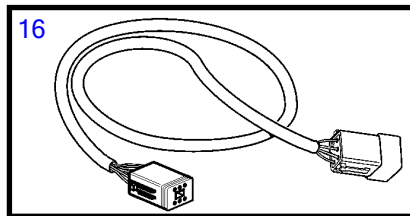
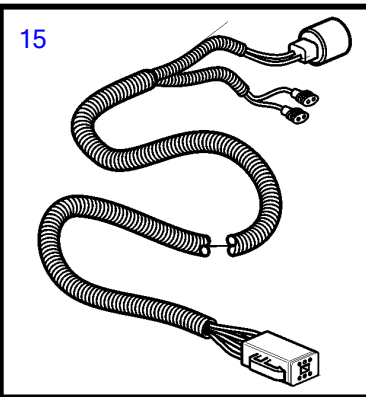
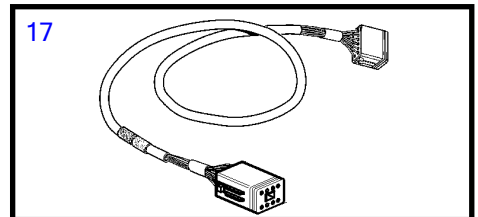
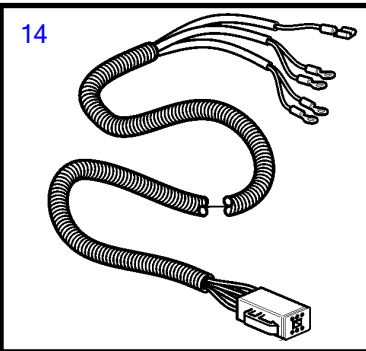
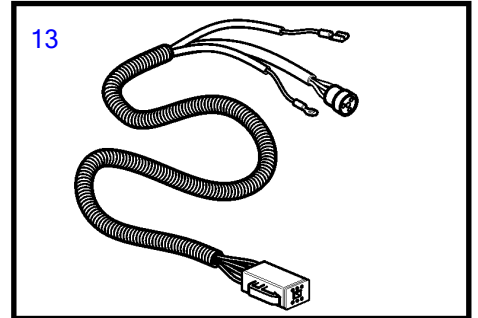
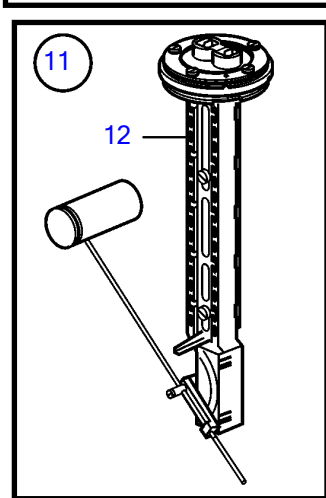
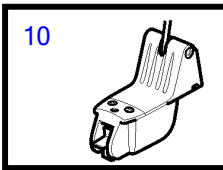
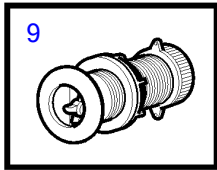
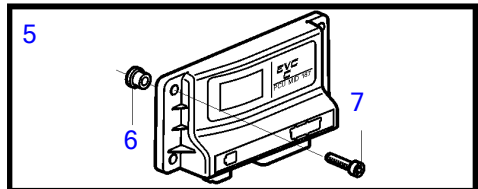
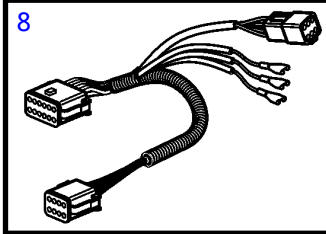
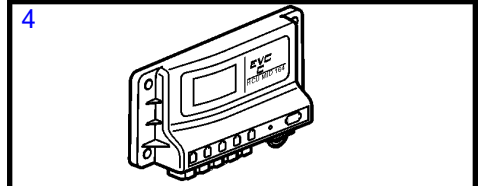
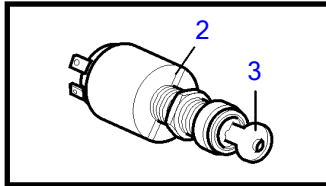
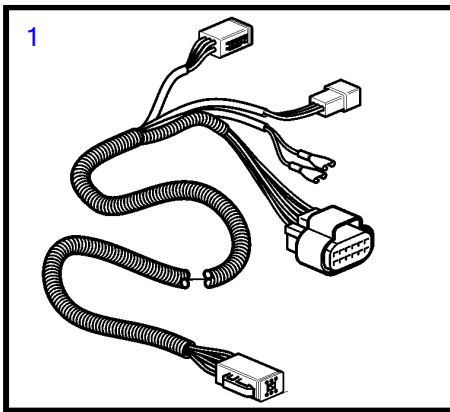


D3-110I-D, D3-110I-E, D3-110I-F, D3-140I-E, D3-140I-F, D3-140A-D, D3-140A-E, D3-140A-F, D3-150I-D, D3-150I-E, D3-150I-F, D3-170I-D, D3-170I-E, D3-170I-F, D3-170A-D, D3-170A-E, D3-170A-F, D3-200I-D, D3-200I-E, D3-200I-F, D3-200A-D, D3-200A-E, D3-200A-F, D3-220I-D, D3-220I-E, D3-220I-F, D3-220A-D, D3-220A-E, D3-220A-F



25584

D3-110I-D, D3-110I-E, D3-110I-F, D3-140I-E, D3-140I-F, D3-140A-D, D3-140A-E, D3-140A-F, D3-150I-D, D3-150I-E, D3-150I-F, D3-170I-D, D3-170I-E, D3-170I-F, D3-170A-D, D3-170A-E, D3-170A-F, D3-200I-D, D3-200I-E, D3-200I-F, D3-200A-D, D3-200A-E, D3-200A-F, D3-220I-D, D3-220I-E, D3-220I-F, D3-220A-D, D3-220A-E, D3-220A-F

| REF | PART NO. | QTY | DESCRIPTION                  | SEE SEC.    | NOTES   |
|-----|----------|-----|------------------------------|-------------|---|
| 1   | 881801   | 1   | Wiring harness               |             | Included in EVC cable kit 3587052., L=2,0m  |
| 2   | 3587071  | 1   | Starter switch               |             |   |
|     | 3587070  | 1   | Starter switch               |             | Kit with 2 key switch with identical key.   |
| 3   | 859953   | 1   | • Key                        |             | State key code when ordering  |
|     |          |     | • Bulletin 49-30             | 49-30-EN    | Key P/N 859953  |
| 4   | 21321153 | X   | Control unit, not programmed |             | HCU. Software ordered separately or downloaded with Vodia.                          |
|     | 3586261  | X   | Software                     |             | Warehouse programming. This p/n can not be ordered, but will be used for invoicing. |
|     | 3586259  | X   | Software                     |             | Vodia-programming. This p/n can not be ordered, but will be used for invoicing.     |
|     | 21172467 |     | Control unit                 |             | XCU   |
| 5   | 21339311 | X   | Control unit, not programmed |             | PCU. Software ordered separately or downloaded with Vodia.                          |
|     | 3586267  | X   | Software                     |             | Warehouse programming. This p/n can not be ordered, but will be used for invoicing. |
|     | 3586266  | X   | Software                     |             | Vodia-programming. This p/n can not be ordered, but will be used for invoicing.     |
| 6   | 21230875 | 4   | Sleeve                       |             |   |
| 7   | 976104   | 4   | Flange screw                 |             |   |
| 8   | 21207240 | 1   | Wiring harness               |             | ECU to engine   |
| 9   | 3587054  | 1   | Sensor                       |             | Through hull  |
| 10  | 3587055  | 1   | Sensor                       |             | Mounted on transom  |
| 11  | 3812291  | 1   | Sensor kit                   |             | Replaced by 21575479  |
|     | 21575479 |     | Sensor kit                   |             |   |
| 12  | 873772   | 1   | • Tank sensor                |             |   |
| 13  | 3807228  | 1   | Wiring harness               |             | For trim instrument and instrument light, L=0.5m                                    |
| 14  | 3807229  | 1   | Wiring harness               |             | For fuel level sender, L=5.0m   |
| 15  | 3885806  | 1   | Wiring harness               |             | For trim pump and trim sender, Included in EVC cable kit 3587052., L=5.0m           |
| 16  | 3842733  | 1   | Extension cable'verl         |             | L=3.0m, 6-Way   |
|     | 3842734  | 1   | Extension cable'verl         |             | L=5.0m, 6-Way   |
|     | 3842735  | 1   | Extension cable'verl         |             | L=7.0m, 6-Way   |
|     | 3842736  | 1   | Extension cable'verl         |             | L=9.0m, 6-Way   |
|     | 3842737  | 1   | Extension cable'verl         |             | L=11.0m, 6-Way  |
| 17  | 888248   | 1   | Extension cable'verl         |             | Multilink., L=10.0' (3.0m), 8-way.  |
|     | 888249   | 1   | Extension cable'verl         |             | L=5.0m, 8-way.  |
|     | 888250   | 1   | Extension cable'verl         |             | L=23.0' (7.0m), 8-way.  |
|     | 888251   | 1   | Extension cable'verl         |             | L=9.0m, 8-way.  |
|     | 888253   | 1   | Extension cable'verl         |             | L=11,00m, 8-way.  |
| 18  | 3840433  | 1   | Sealing plug                 |             | Plug for connection in HIU when reverse gear is used.                               |
| 19  | 3884818  | 1   | Display, kit                 |             | Replaced by 3849972   |
|     | 3849972  | 1   | Display                      |             | Replaced by 3595108   |
|     | 3595108  | 1   | Display                      |             | Replaced by 21173162  |
|     | 21173162 | 1   | Display                      |             |   |
| 20  |          | 1   | • Display                    |             |   |
| 21  | 830928   | 4   | • Stud                       |             |   |
| 22  | 830930   | 4   | • Wing nut                   |             |   |
| 23  | 3588207  | 1   | • Cable kit                  |             |   |
| 24  | 3848966  | 1   | Control unit                 |             |   |
|     |          |     | • Bulletin P-38-1-1          | P-38-1-1-EN | ADU - Automatic Dimmer Unit   |
| 25  | 873112   | 1   | Position sensor              |             | SOLAS   |
| 26  | 3594603  | 1   | Wiring harness               |             | SOLAS   |
| 27  | 856337   | 1   | Automatic fuse               |             | 50A, SOLAS  |
| 28  | 3594644  | 1   | Wiring harness               |             | SOLAS   |
| 29  | 3885810  | 1   | Wiring harness               |             |   |
| 30  | 873765   | 1   | • Relay                      |             |   |
| 31  | 888004   | 1   | Cable                        |             |   |
| 32  | 873765   | 1   | Relay                        |             |   |