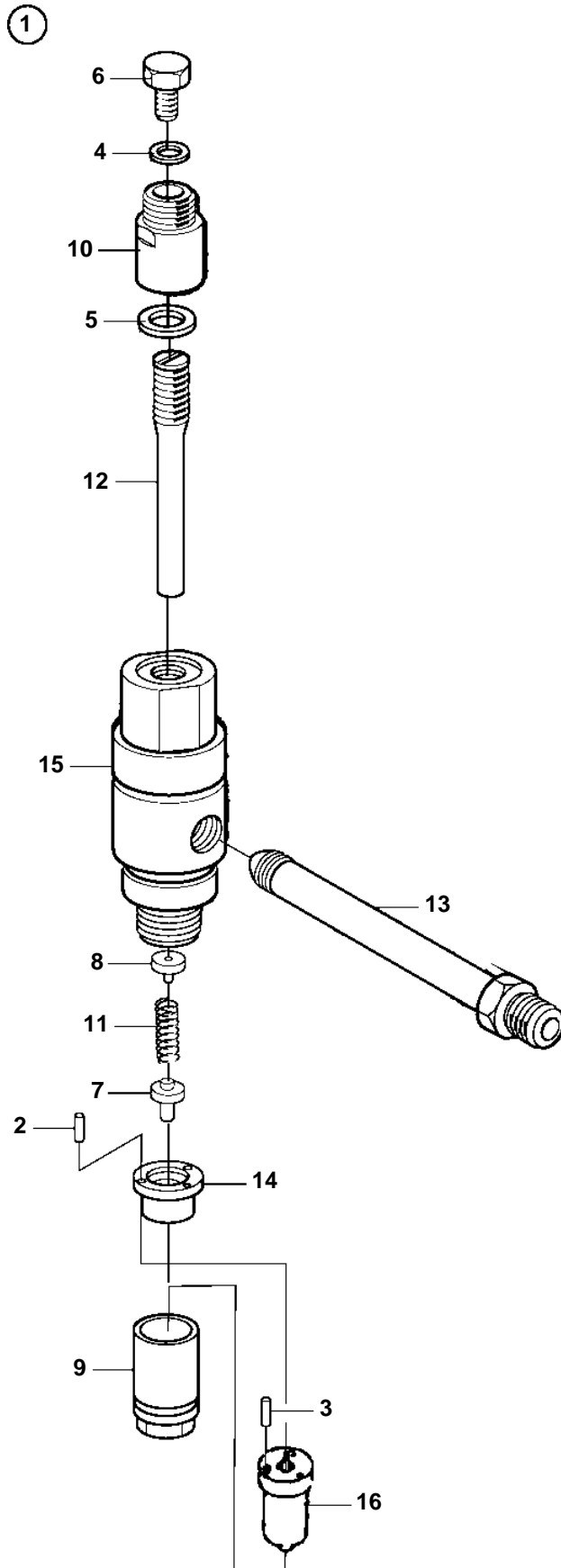


D25A-MT, D25A-MS, D30A-MT, D30A-MS



18431

D25A-MT, D25A-MS, D30A-MT, D30A-MS

REF	PART NO.	QTY	DESCRIPTION
1	3835102	1	Injector
2	3831661	2	· Locating pin
3	3831662	2	· Pin
4	3831587	1	· Sealing washer
5	3831591	1	· Sealing washer
6	3834431	1	· Set screw
7	3835195	1	· Push rod
8	3834488	1	· Seat
9	3833828	1	· Nut
10	3833815	1	· Cap nut
11	3834658	1	· Spring
12	3834418	1	· Adjusting screw
13	3833285	1	· Connector
14	3834640	1	· Spacer
15	3832189	1	· Nozzle retainer
16	3831901	1	· Injector