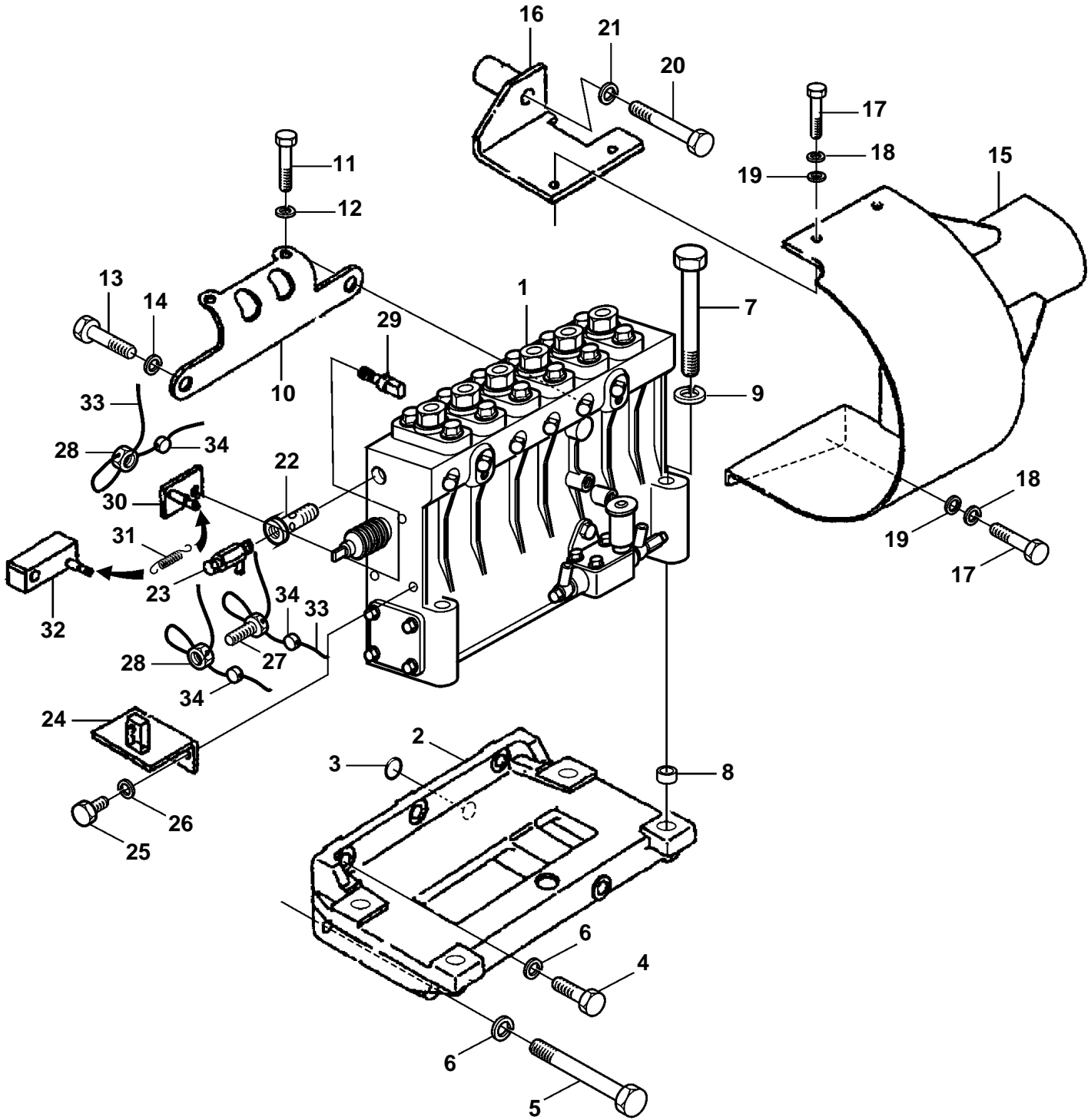


D30A-MT, D30A-MS



D30A-MT, D30A-MS

REF	PART NO.	QTY	DESCRIPTION	SEE SEC.	NOTES
1		1	Injection pump	4855	
2	3831904	1	Bracket		
3	3835110	1	O-ring		
4	3832090	3	Screw		
5	3831602	1	Screw		
6	3832245	5	Spring washer		
7	3832090	4	Screw		
8	3833972	2	Guide sleeve		
9	3832245	4	Spring washer		
10	3831899	1	Stay		
11	3832056	2	Screw		
12	3832245	2	Spring washer		
13	3832093	2	Screw		
14	3832277	2	Spring washer		
15	3831910	1	Cover		
16	3831908	1	Bracket		SN-28236
	3841127	1	Bracket		SN28237-28633
	3842364	1	Bracket		SN28634-
17	3835721	3	Screw		
18	3832225	3	Spring washer		
19	3831791	3	Washer		
20	3832083	1	Screw		
21	3832245	1	Spring washer		
22	3832027	1	Hollow screw		
23	3831626	1	Tap		
24	3831894	1	Bracket		
25	3832106	2	Screw		
26	3832225	3	Spring washer		
27	3838730	1	Screw		
28	3831656	2	Nut		
29	3831895	1	Adjusting sleeve		
30	3831903	1	Bracket		
31	3832034	1	Spring		
32	3831902	1	Bracket		
33	3837686	3	Wire		
34	3832024	3	Lead sealing tab		