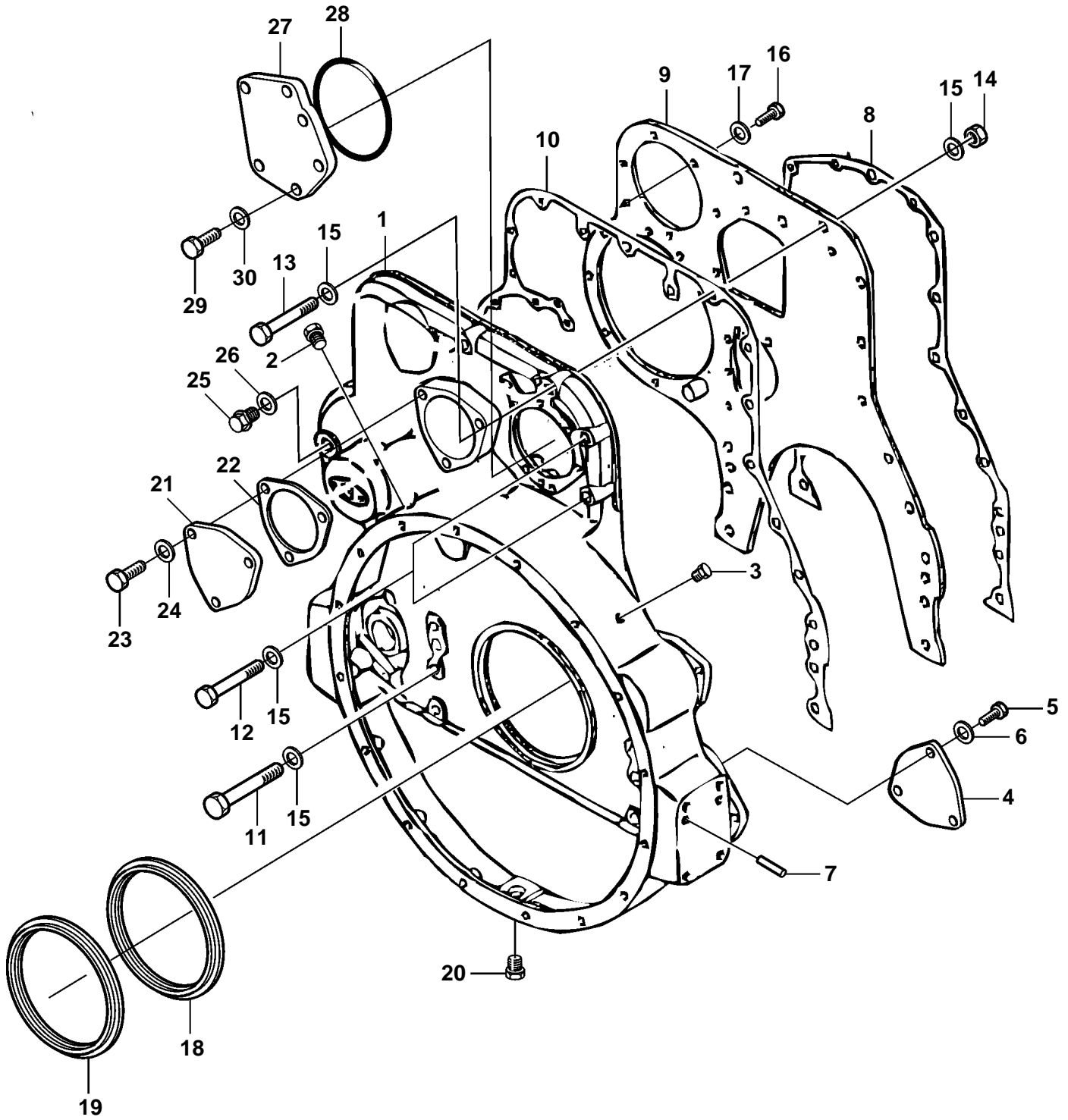


D30A-MT AUX, D30A-MS AUX



D30A-MT AUX, D30A-MS AUX

REF	PART NO.	QTY	DESCRIPTION	NOTES
1	3834979	1	Flywheel housing	SN-28169
	3818083	1	Flywheel housing	SN28170-
2	3831702	1	Plug	
3	3832329	1	Plug	
4	3831684	1	Cover	
5	3835725	3	Screw	
6	3832245	3	Spring washer	
7	3831821	4	Pin	
8	3833906	1	Gasket	
9	3831767	1	Plate	
10	3831765	1	Gasket	
11	3831607	9	Screw	
12	3832103	2	Screw	
13	3832102	1	Screw	
14	3835103	2	Nut	
15	3831625	14	Washer	
16	3832058	7	Screw	
17	3832245	7	Spring washer	
18	3834614	1	Oil deflector ring	
19	3831761	1	Sealing ring	
20	3831624	1	Plug	
21	3831766	1	Cover	
22	3835125	1	Gasket	
23	3832042	3	Screw	
24	3832233	3	Spring washer	
25	3832331	1	Plug	
26	3831598	1	Sealing washer	
27	3833321	1	Cover	
28	3831937	1	O-ring	
29	3832042	6	Screw	
30	3832233	6	Spring washer	