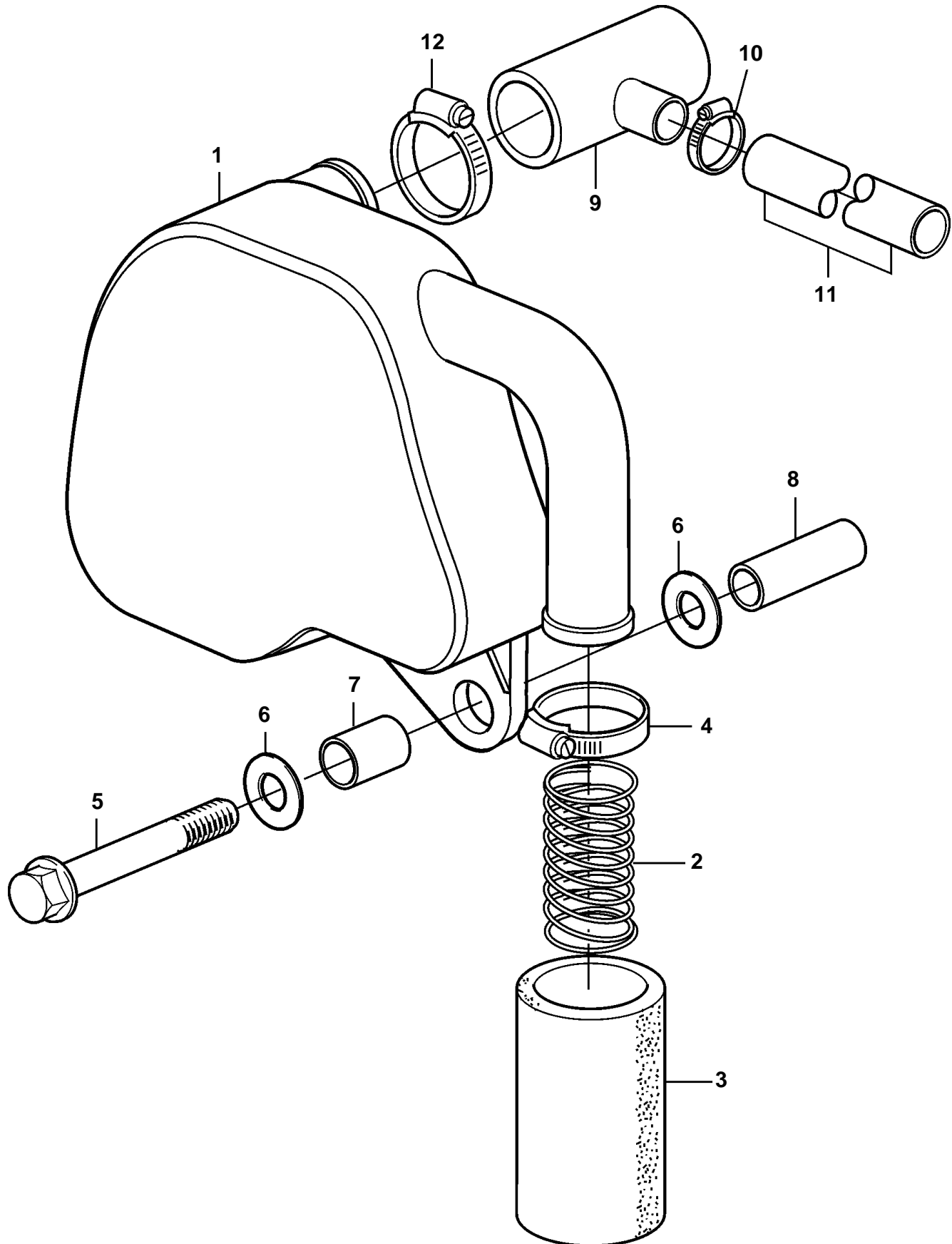


D2-75A, D2-75B, D2-75C, D2-75F



20034

D2-75A, D2-75B, D2-75C, D2-75F

REF	PART NO.	QTY	DESCRIPTION
1	3583068	1	Muffler
2	3580510	1	Spring
3	3580509	1	Filter
4	961672	2	Hose clamp
5	955313	1	Hexagon screw
6	191169	2	Washer
7	3818117	1	Spacer
8	3587408	1	Spacer
9	3584425	1	Adapter
10	961664	1	Hose clamp
11	3808668	1	Pipe
12	961664	1	Hose clamp