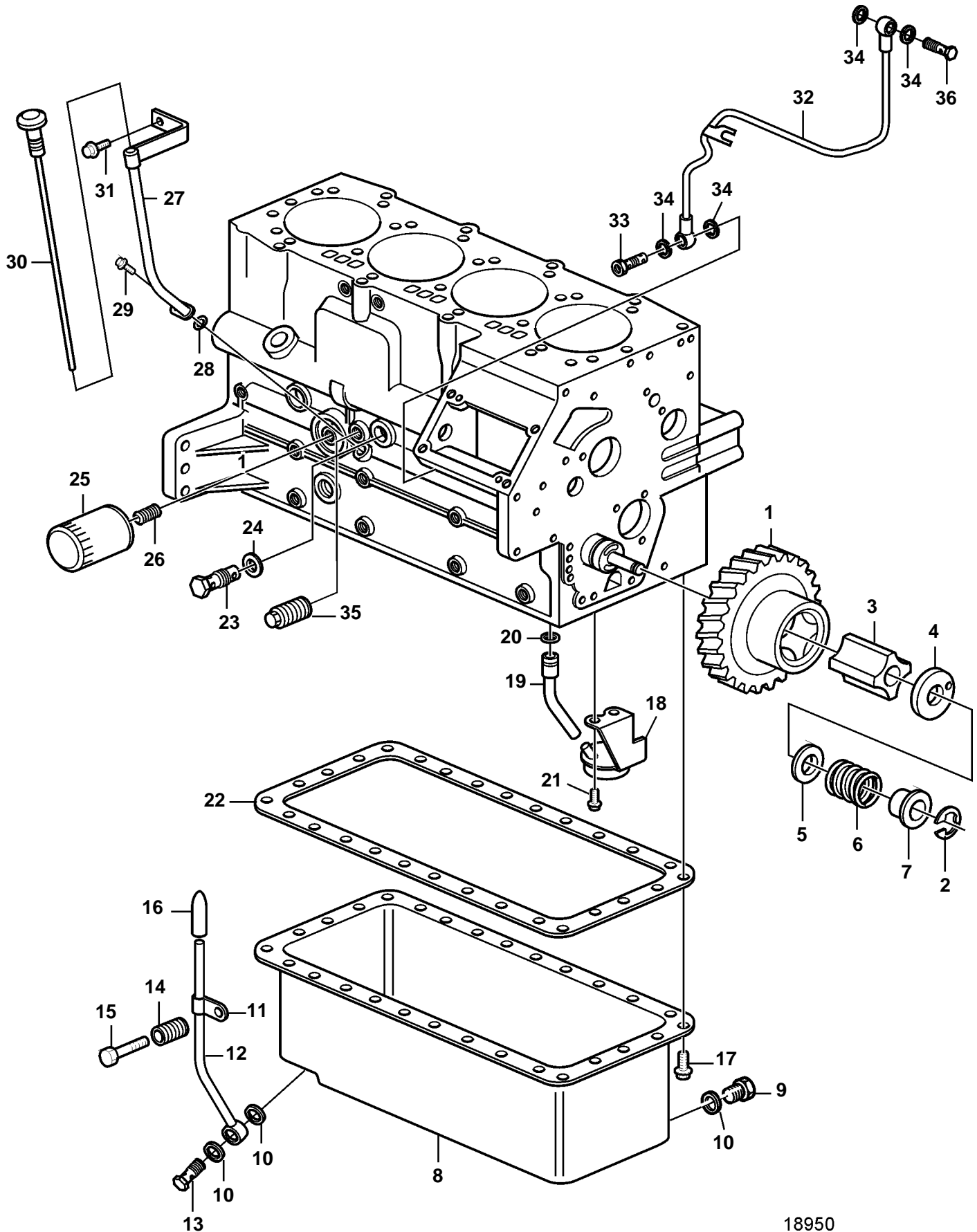


D2-55F



18950

D2-55F

REF	PART NO.	QTY	DESCRIPTION	SEE SEC.	NOTES
1		1	Gear	35121	
2	861534	1	Lock ring		
3	3580570	1	Rotor		
4	21188141	1	Cover		
5	861528	X	Shim		TH=0,10mm
	861529	X	Shim		TH=0,15mm
	861530	X	Shim		TH=0,20mm
	861531	X	Shim		TH = 0,50mm
6	861532	1	Spring		
7	861533	1	Sleeve		
8	3583551	1	Sump		
9	3580091	1	Screw		
10	3580092	3	Sealing ring		
11	941565	1	Clamp		
12	3583067	1	Oil draining pipe		
13	941686	1	Hollow screw		
14	3582401	1	Adapter		
15	946471	1	Flange screw		
16	1276516	1	Rubber cap		
17	21246391	30	Hexagon screw		
18	21194501	1	Filter		
19	21194503	1	Pipe		
20	861997	1	O-ring		
21	861526	2	Screw		
22	3583552	1	Gasket		
23	3583580	1	Reduction valve		
24	3583581	1	O-ring		
25	3840525	1	Oil filter		
26	861825	1	Bolt		
27	3587361	1	Tube		
28	861851	1	O-ring		
29	21246391	1	Hexagon screw		
30	3583554	1	Dipstick		
31	21246643	1	Hexagon screw		
32	3583582	1	Oil pipe		
33	3583575	1	Hollow screw		
34	11992	4	Gasket		
35	21194526	1	Plug		
36	861872	1	Hollow screw		