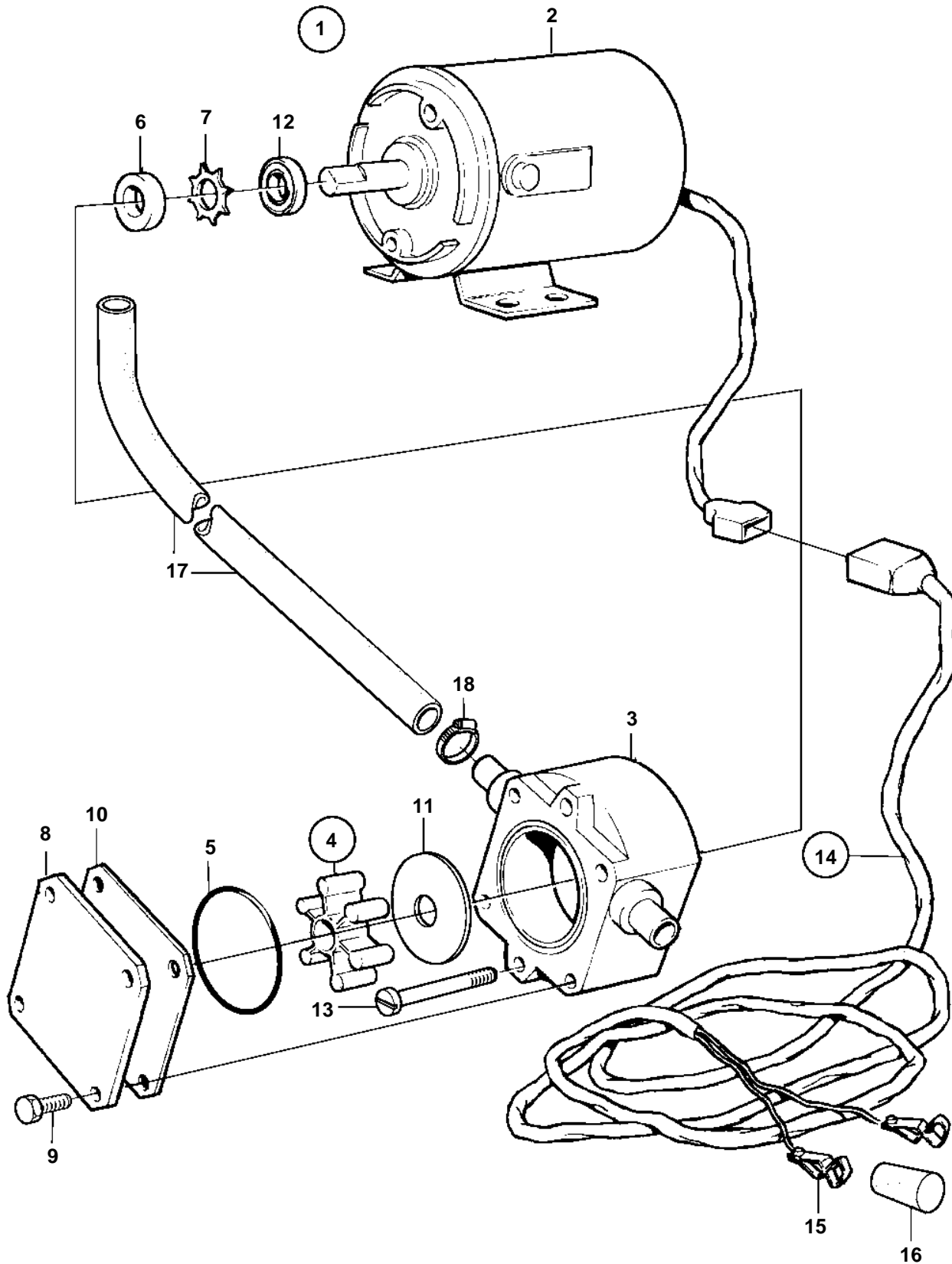


D2-55A, D2-55B, D2-55C, D2-55D, D2-55E, D2-55F



18186

D2-55A, D2-55B, D2-55C, D2-55D, D2-55E, D2-55F

REF	PART NO.	QTY	DESCRIPTION	NOTES
1	843114	1	Oil bilge pump	12V
2	842855	1	· Electrical motor	
3		1	· · Pump housing	
4	844022	1	· · Impeller kit	
5		1	· · O-ring	
6		1	· · Sealing ring	
7		1	· · Lock ring	
8	844018	1	· · Cardboard tube	
9	844021	4	· · Screw	
10	844017	1	· · Wear washer	
11	844016	1	· · Wear washer	
12	844019	1	· · Oil deflector ring	
13	969518	2	· · 6 point socket screw	(847464)
14	843113	1	· Cable trunk	
15	844280	2	· · Clip	
16		1	· · Isolator	Black
		1	· · Isolator	Red
17	949100	X	· Hose	
18	943471	3	· Hose clamp	