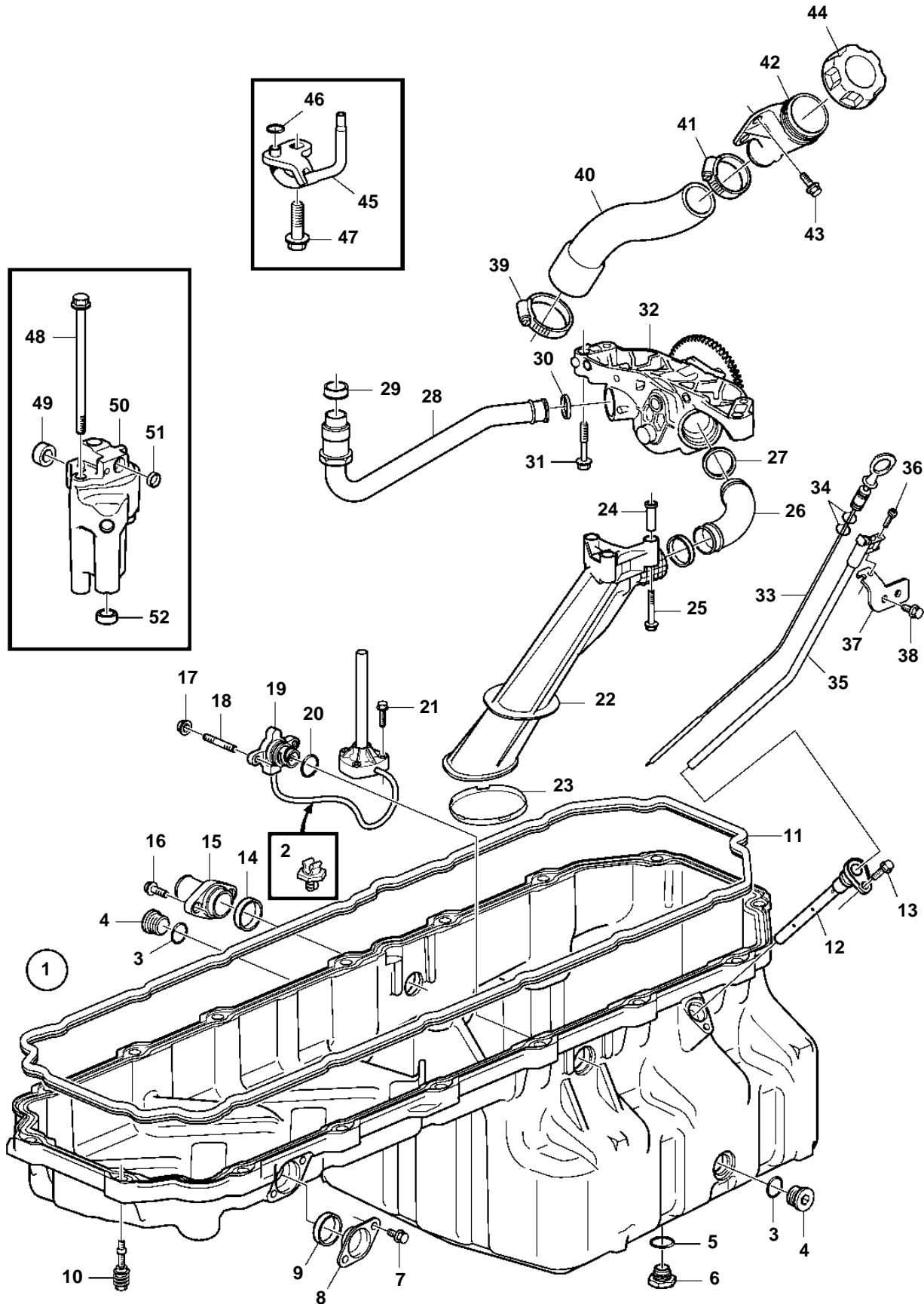


D16C-A MH, D16C-A MG



23175

## D16C-A MH, D16C-A MG

REF	PART NO.	QTY	DESCRIPTION
1	20775763	1	Oil pan
2	20700754	3	· Clip
3	968209	2	· O-ring
4	968612	2	· Plug
5	20579690	1	· Gasket
6	20571854	1	· Plug
7	946440	2	Flange screw
8	3964803	1	Plug
9	20555696	1	Sealing ring
10	20463185	16	Flange screw
11	20734156	1	Sealing strip
12	20724256	1	Tube
13	946173	1	Flange screw
14	20555696	1	Sealing ring
15	20462497	1	Connection pipe
16	946173	2	Flange screw
17	953035	2	Stud
18	945407	2	Flange nut
19		1	Oil pressure sensor
20	990719	1	O-ring
21	948356	3	Screw
22	20547257	1	Oil pump screen
23	8131965	1	· Strainer
24	20547263	3	· Spacer sleeve
25	977275	3	Flange screw
26	20737892	1	Connection pipe
27	20555696	2	Sealing ring
28	20708889	1	Pressure pipe
29	980790	1	· Ferrule
30	1543578	1	Sealing ring
31	1547887	4	Screw
32	20553753	1	Oil pump
33	3841225	1	Oil dipstick
34	949187	2	O-ring
35	3841227	1	Tube
36	975371	1	6 point socket screw
37		1	Bracket
38	946440	2	Flange screw
39	961671	1	Hose clamp
40	3841223	1	Hose
41	961670	1	Hose clamp
42	20808091	1	Oil filler pipe
43	944926	2	Flange screw
44	20807510	1	Oil filler cap
45	3839496	6	Jet
46	955982	6	· O-ring
47	966378	6	Flange screw
48	969225	2	Flange screw
49	20775471	1	Spacer sleeve
50	20540340	1	Intermediate section
51	955082	3	· Cap plug
52	20526428	1	· Sealing ring