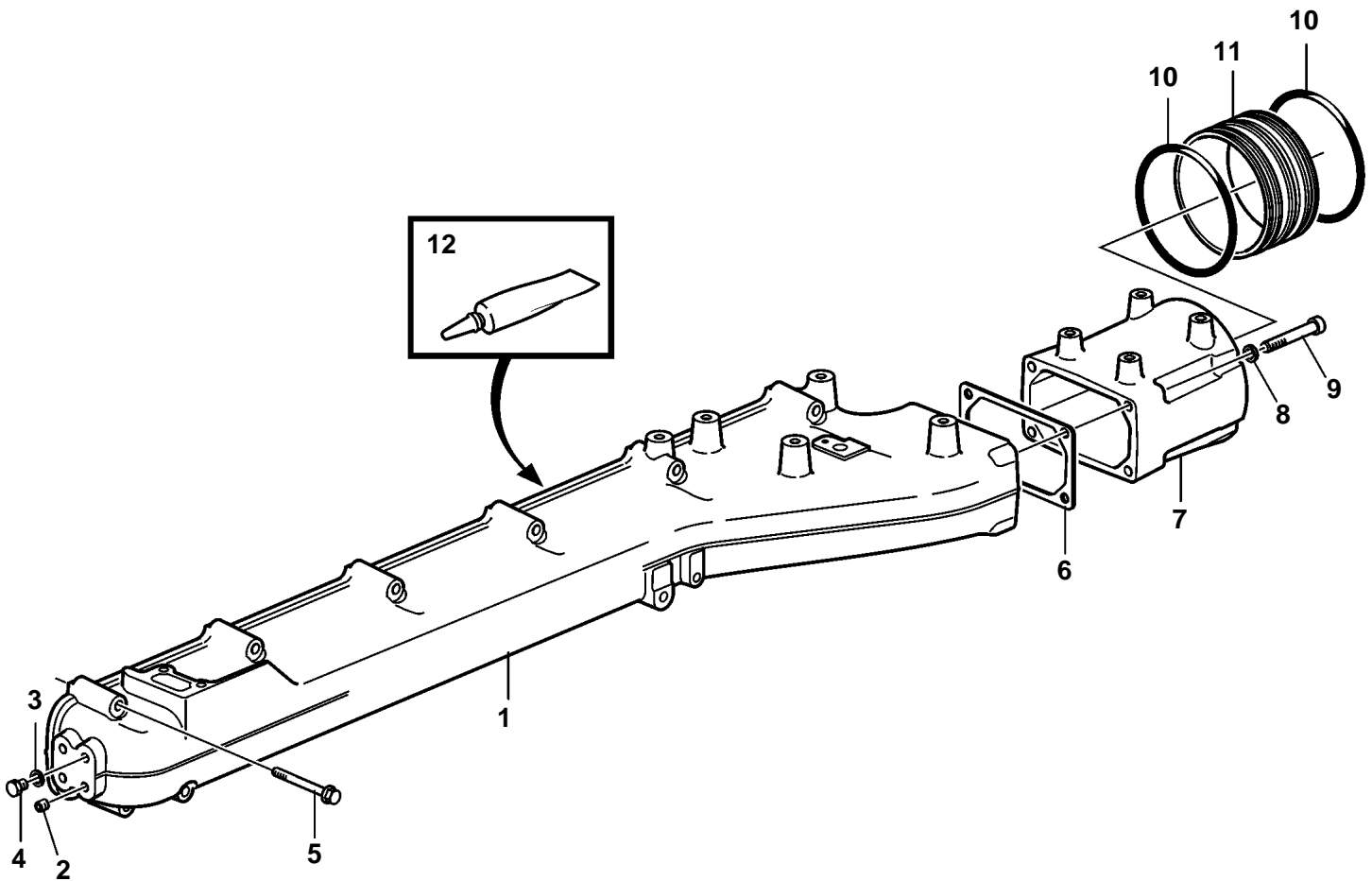
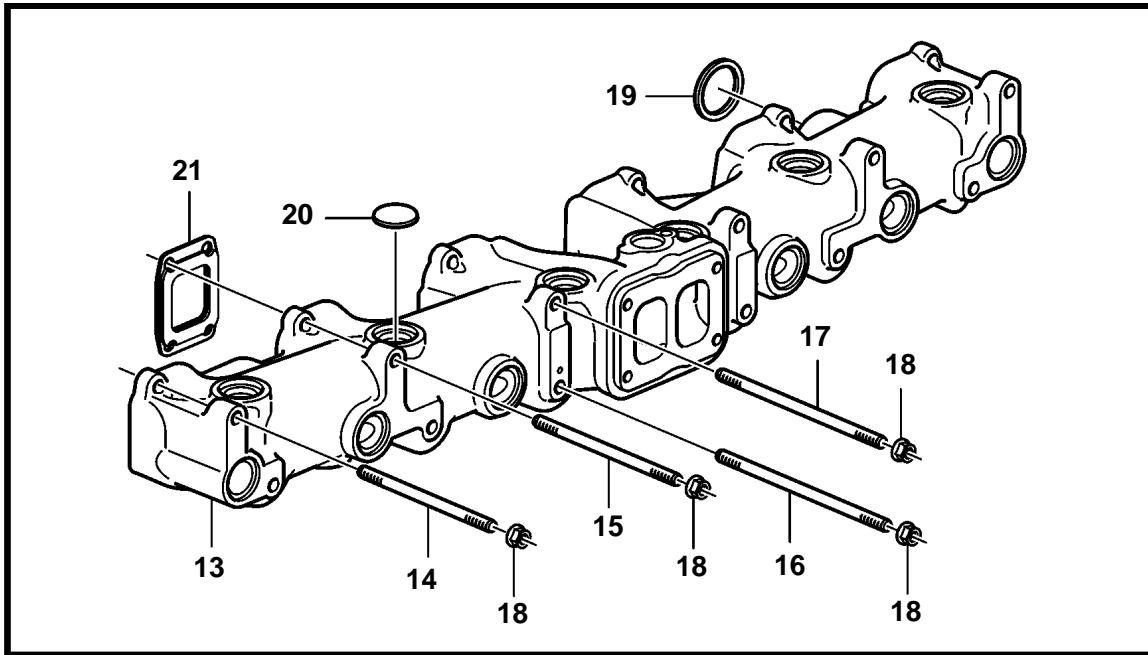


D16C-A MH, D16C-A MG



D16C-A MH, D16C-A MG

REF	PART NO.	QTY	DESCRIPTION
1	3841085	1	Inlet pipe
2	479979	1	Plug
3	947281	1	Gasket
4	960628	1	Plug
5	965181	12	Screw
6	477314	1	Gasket
7	3819105	1	Adapter
8	960147	4	Washer
9	963702	4	Screw
10	3812484	2	O-ring
11	3808387	1	Connector
12	1161231	X	Sealant
13	3809130	1	Exhaust manifold
14	953007	4	Stud
15	980558	4	Stud
16	948932	2	Stud
17	130201	2	Stud
18	971095	12	Nut
19	975693	2	O-ring
20	968955	18	Expansion plug
21	20744865	6	Gasket