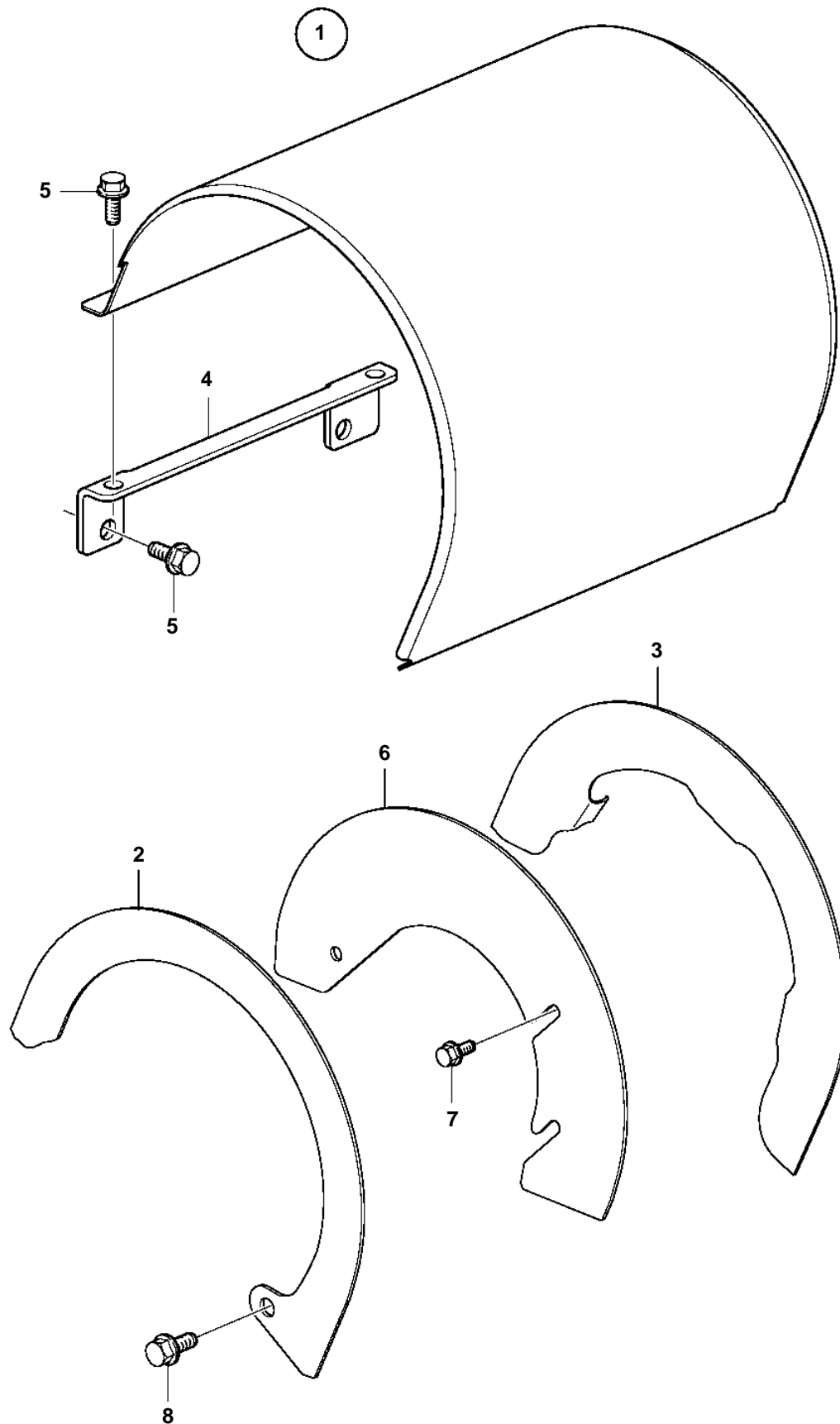


D16C-A MH, D16C-A MG



D16C-A MH, D16C-A MG

REF	PART NO.	QTY	DESCRIPTION
1	3589025	1	Heat shield
2			End plate
3			End plate
4		1	Bracket
5	946440	4	Flange screw
6	3886778	1	Heat shield
7	967949	3	Screw
8	946440	1	Flange screw