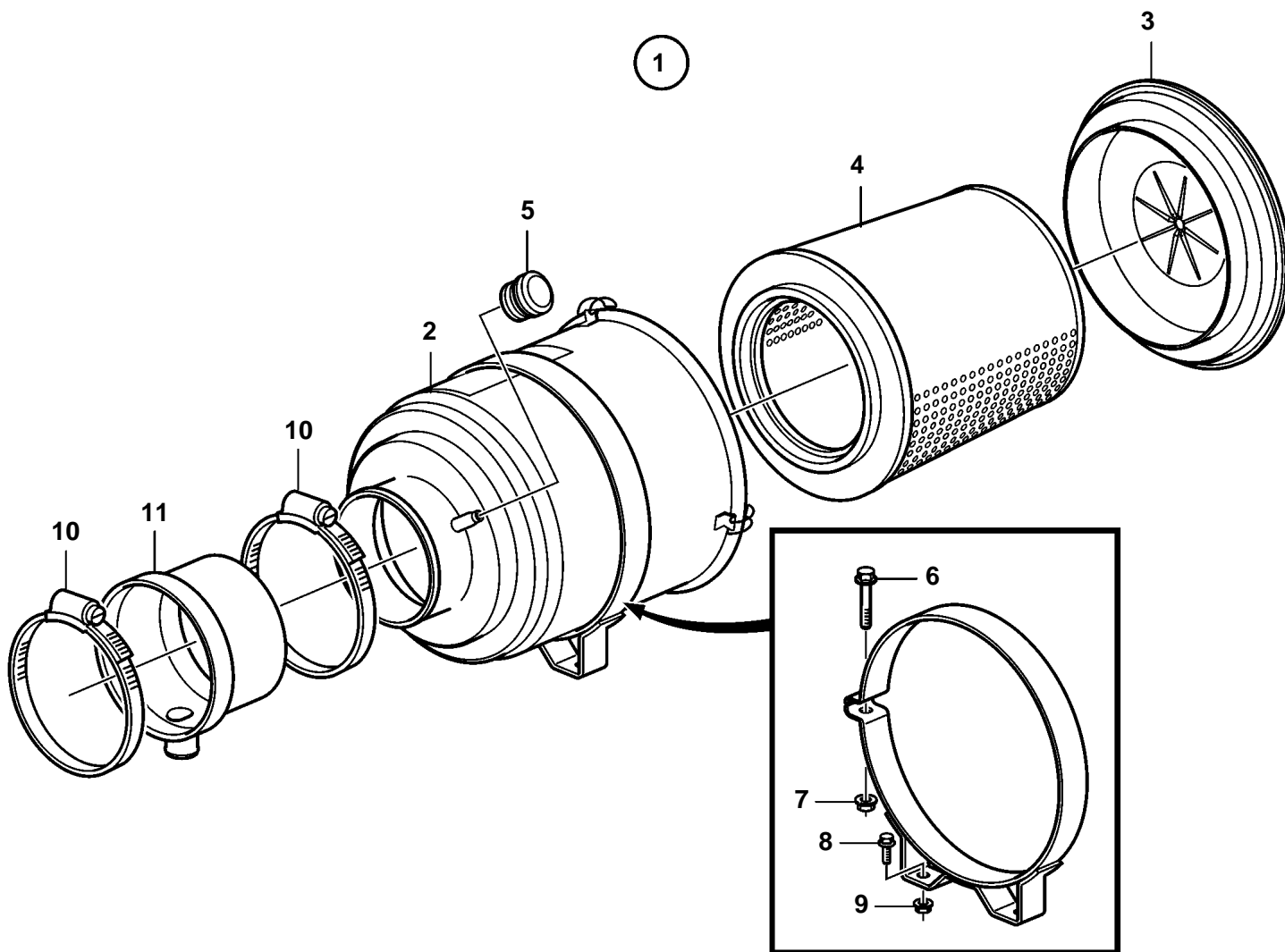


D16C-A MH, D16C-A MG



23219

D16C-A MH, D16C-A MG

REF	PART NO.	QTY	DESCRIPTION
1	3883947	1	Air filter
2		1	· Filter housing
3		1	· Cover
4	3885441	1	· Filter insert
5	3828765	1	· Pressure drop indica
6	965221	1	Flange screw
7	971095	1	Nut
8	946173	2	Flange screw
9	945407	2	Flange nut
10	961907	2	Hose clamp
11	3589027	1	Rubber collar