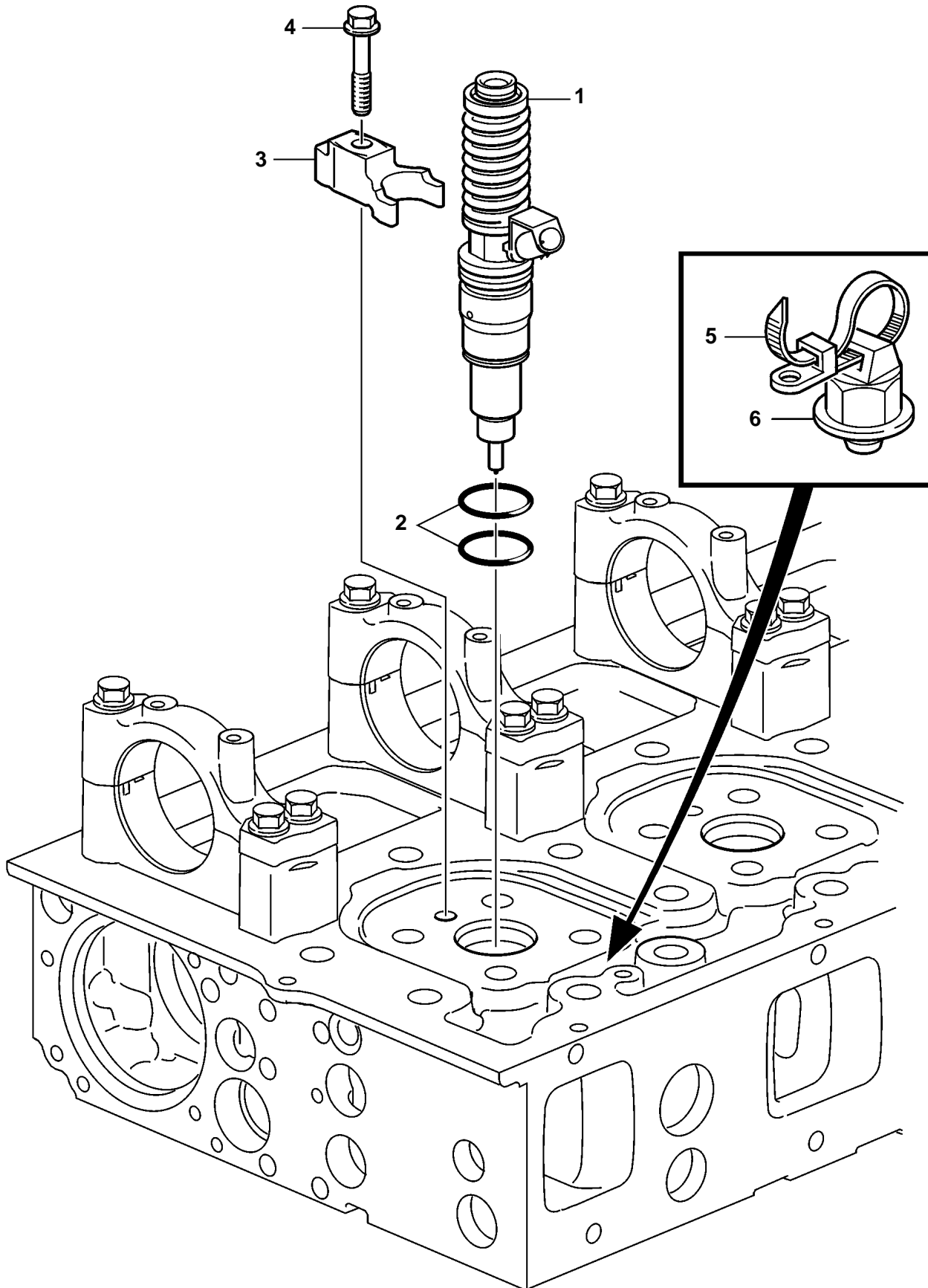


D16C-A MH, D16C-A MG



D16C-A MH, D16C-A MG

REF	PART NO.	QTY	DESCRIPTION	NOTES
1		6	Unit injector	
2	276935	6	• Sealing ring kit	
3	20440280	6	Fork	
4	8131597	6	Flange screw	
5	983472	1	Strip clamp	For cable to unit injectors.
6	8131393	1	Retainer	For cable to unit injectors.