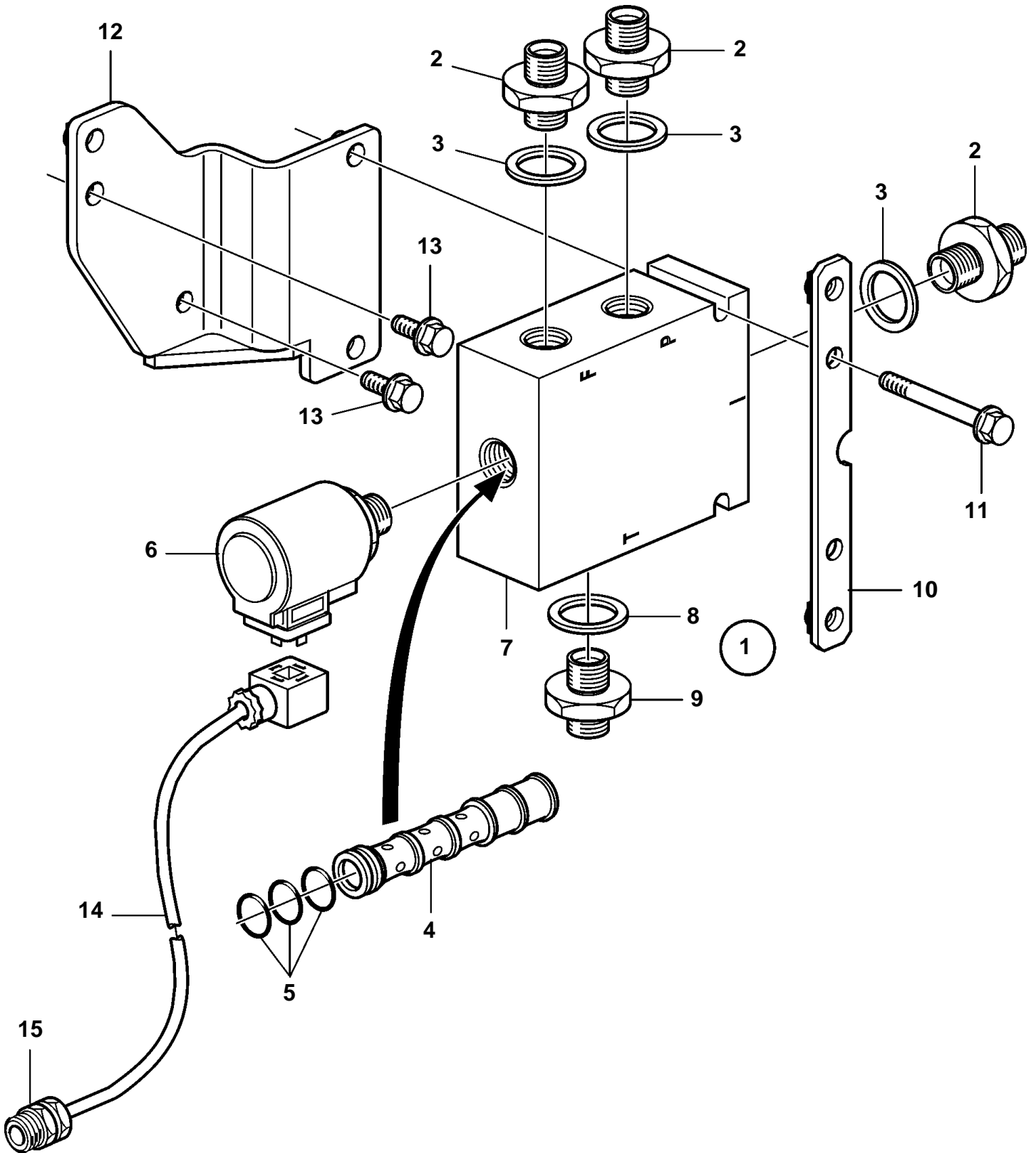


D16C-A MH, D16C-A MG



23225

D16C-A MH, D16C-A MG

REF	PART NO.	QTY	DESCRIPTION
1	3835754	1	Shut-off valve
2	983388	3	· Nipple
3	947629	3	· Gasket
4	3835759	1	· Valve
5	3835803	2	· Gasket kit
6	3835762	2	· Solenoid
7	3835761	2	· Valve housing
8	947629	1	Gasket
9	983388	1	Nipple
10		1	Bracket
11	965181	2	Screw
12		1	Bracket
13	946440	2	Flange screw
14	874511	1	Cable kit
15	881191	1	Cable union