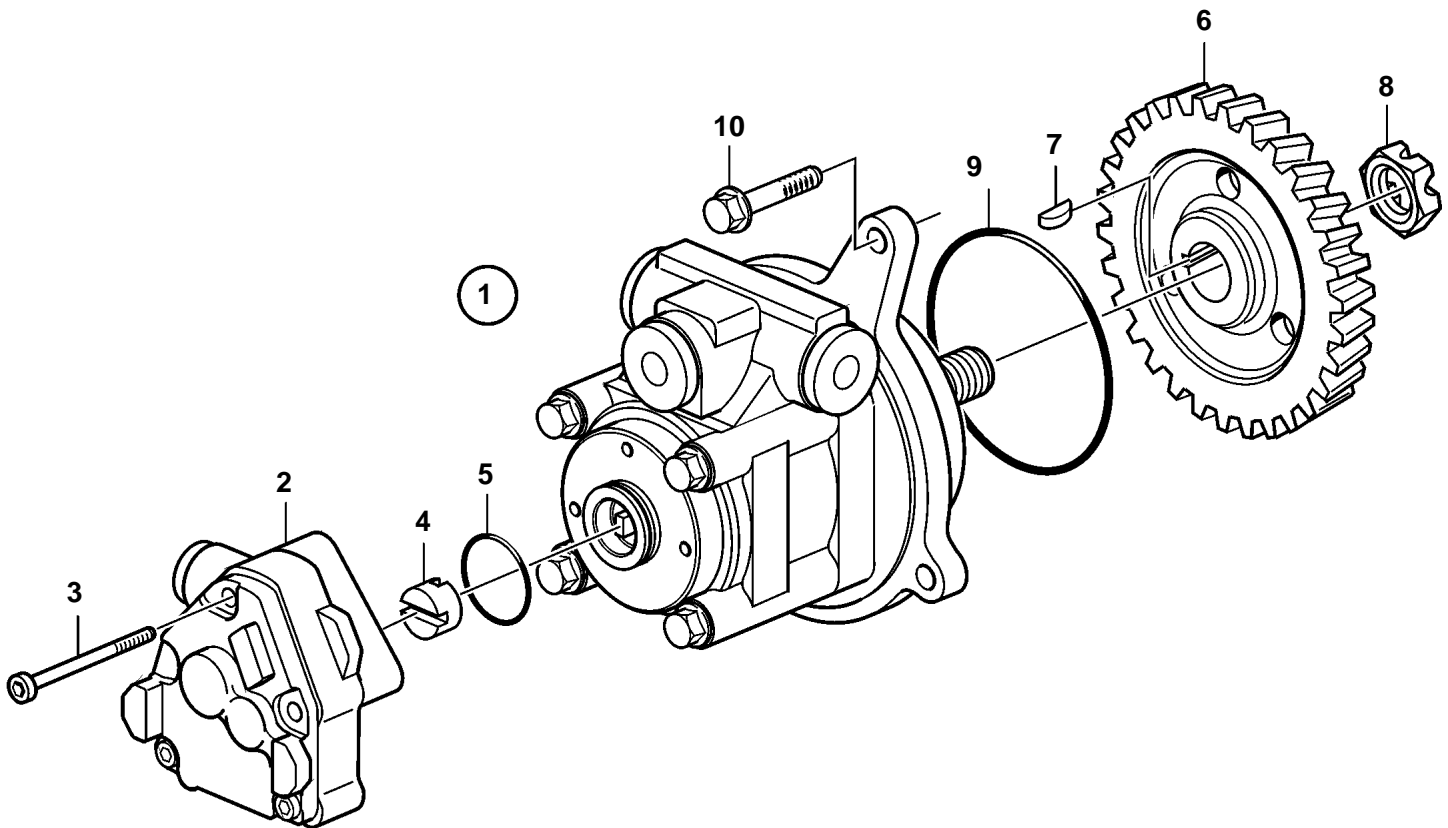


D16C-A MH, D16C-A MG



23283

D16C-A MH, D16C-A MG

REF	PART NO.	QTY	DESCRIPTION	NOTES
1	3838624	1	Fuel pump	CMPL. Without servo pump.
2	85103778	1	· Fuel pump	
3	85103780	1	· Screw	
4	85103779	1	· Companion flange	
5	85103703	1	· O-ring	
6	8131292	1	· Gear	
7	1505357	1	· Key	
8	20367040	1	· Lock nut	
9	977030	1	O-ring	
10	947760	3	Flange screw	