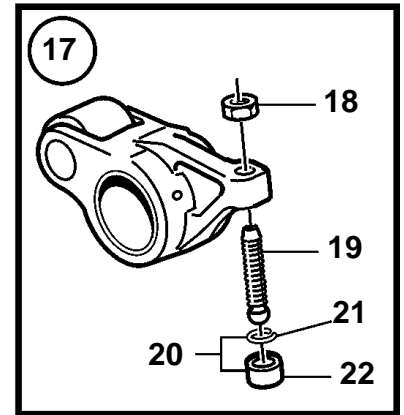
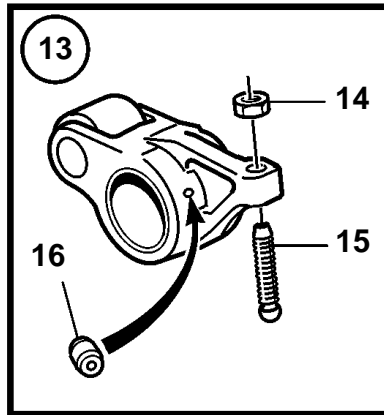
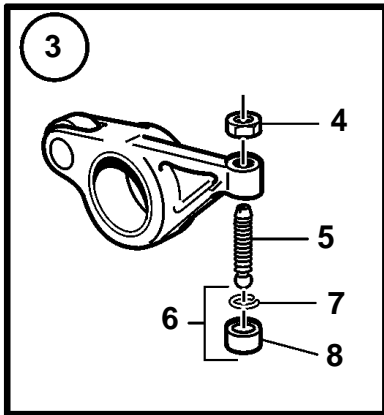
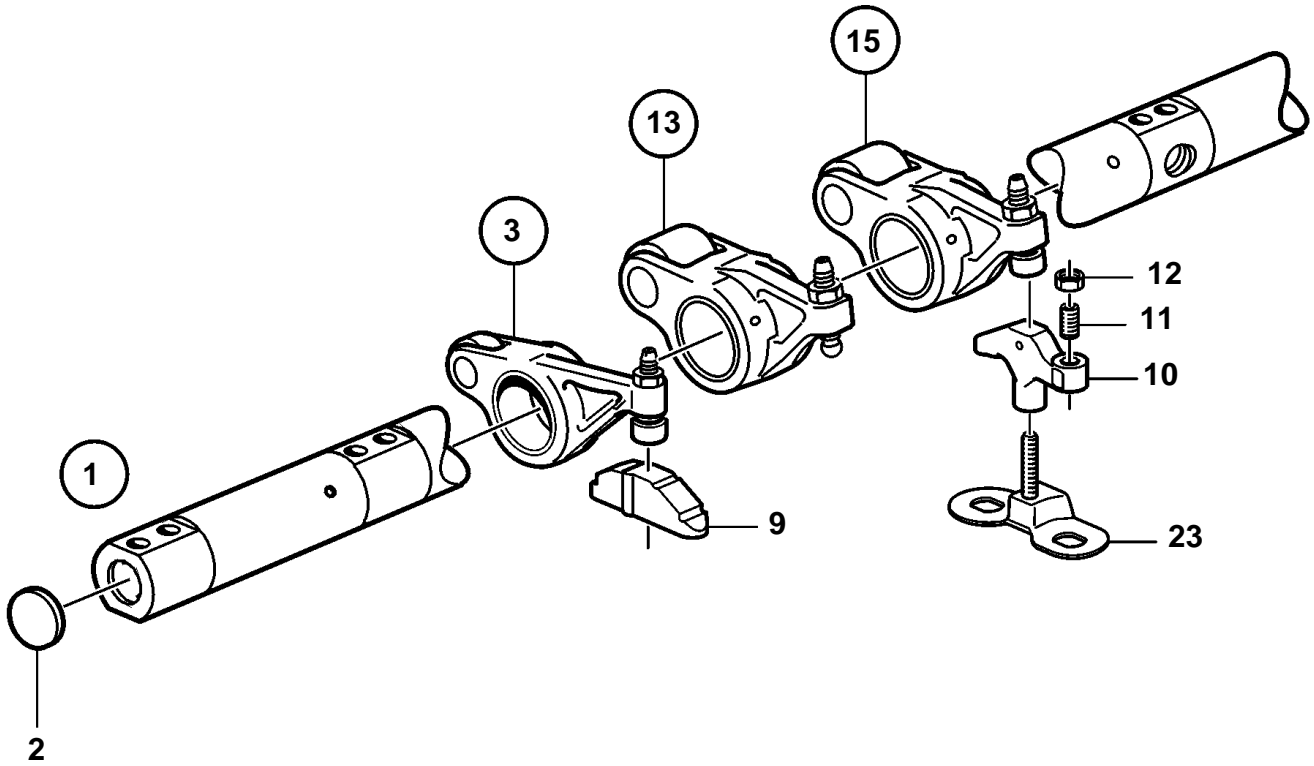


D16C-A MH, D16C-A MG



23129

## D16C-A MH, D16C-A MG

| REF | PART NO. | QTY | DESCRIPTION            |
|-----|----------|-----|------------------------|
| 1   | 24426580 | 1   | Rocker arm shaft       |
| 2   | 955096   | 2   | · Plug                 |
| 3   | 20804097 | 6   | Rocker arm             |
| 4   | 946911   | 1   | · Nut                  |
| 5   |          | 1   | · Adjusting screw      |
| 6   | 20441753 | 1   | · Ball socket          |
| 7   | 944364   | 1   | · · O-ring             |
| 8   |          | 1   | · · Ball seat          |
| 9   |          | 6   | Valve caliper, intake  |
| 10  | 20857578 | 6   | Valve caliper, exhaust |
| 11  | 20551362 | 6   | · Adjuster screw       |
| 12  | 946911   | 6   | · Nut                  |
| 13  | 20794064 | 6   | Rocker arm             |
| 14  | 1677396  | 1   | · Nut                  |
| 15  |          | 1   | · Adjusting screw      |
| 16  | 3964817  | 1   | · Nozzle               |
| 17  | 20794057 | 6   | Rocker arm             |
| 18  | 946911   | 1   | · Nut                  |
| 19  |          | 1   | · Adjusting screw      |
| 20  | 20441753 | 1   | · Ball socket          |
| 21  | 944364   | 1   | · · O-ring             |
| 22  |          | 1   | · · Ball seat          |
| 23  | 20554268 | 6   | Guide pin              |