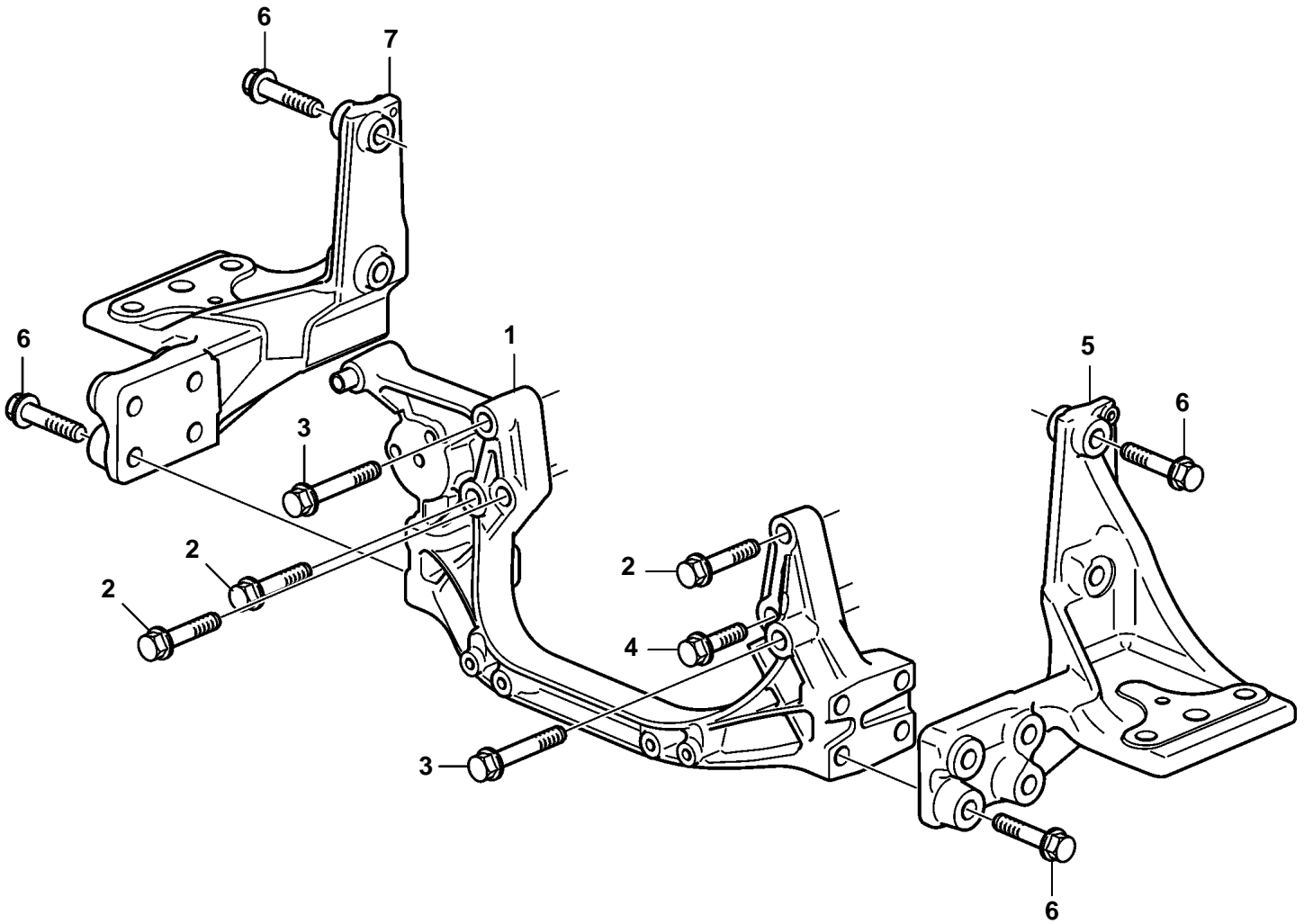


D16C-A MH, D16C-A MG



23277

D16C-A MH, D16C-A MG

REF	PART NO.	QTY	DESCRIPTION
1		1	Engine suspension
2	974008	3	Flange screw
3	975127	2	Flange screw
4	975126	1	Flange screw
5	3843218	1	Engine mountings
6	974008	12	Flange screw
7	3843220	1	Engine mountings