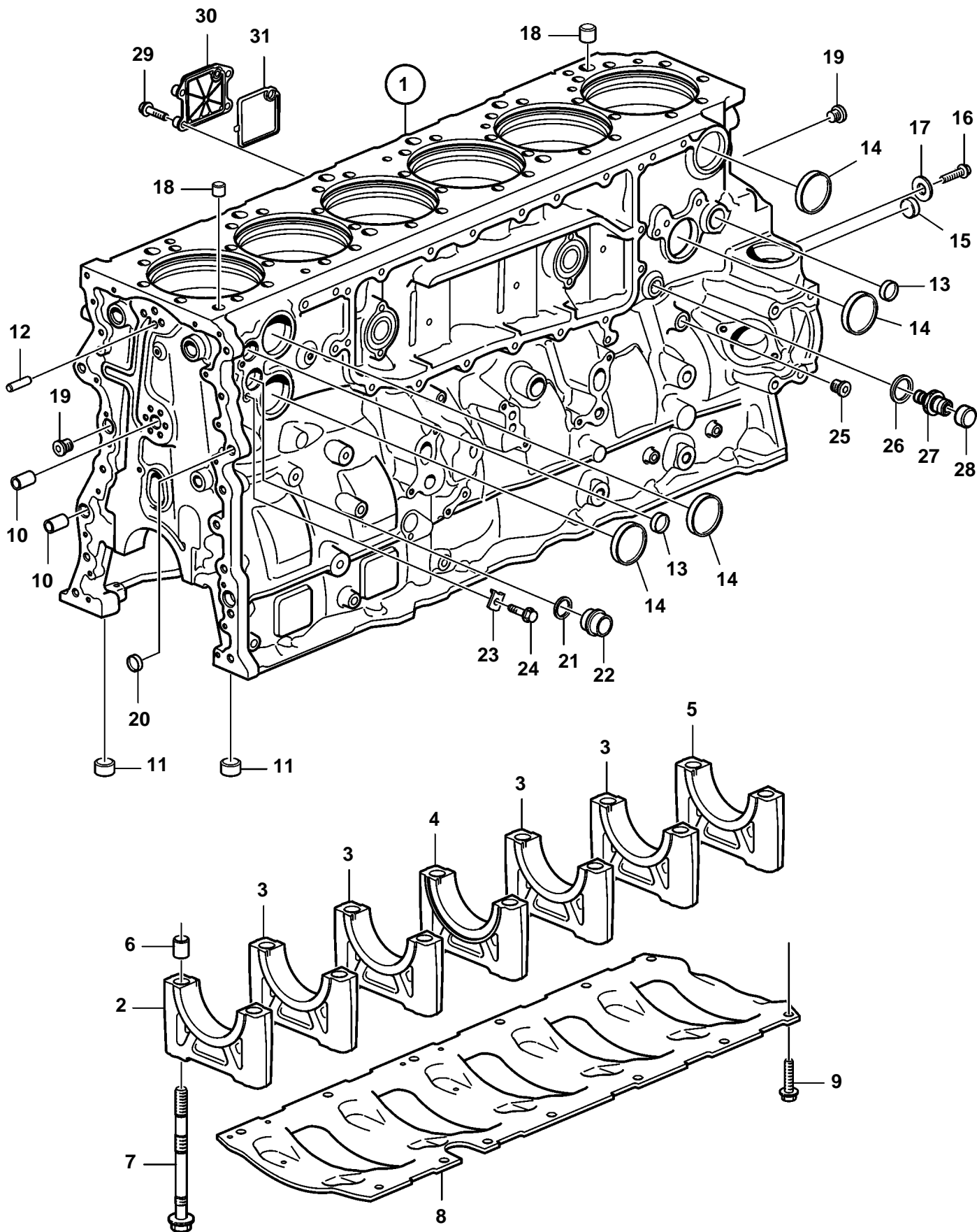


D16C-A MH, D16C-A MG



D16C-A MH, D16C-A MG

REF	PART NO.	QTY	DESCRIPTION
1		1	Cylinder block
2		1	· Main bearing cap
3		4	· Main bearing cap
4		1	· Main bearing cap
5		1	· Main bearing cap
6		14	· Guide sleeve
7	20581443	14	· Flange screw
8	20722628	1	Frame
9	975110	13	Flange screw
10	8131145	2	Guide sleeve
11	417588	2	Guide sleeve
12	950588	1	Pin
13	24426721	2	Cap plug
14	8131937	4	Cap plug
15	20562189	2	Plug
16	966378	1	Flange screw
17	976944	1	Washer
18	20485996	2	Guide sleeve
19	20529445	2	Plug
20	20562189	1	Plug
21	471708	1	Sealing ring
22	20381177	1	Plug
23	1546531	1	Lock brace
24	946440	1	Flange screw
25	984793	1	Plug
26	979099	1	Gasket
27	1676622	1	Draining nippel
28	476279	1	Protective cap
29	945444	4	Flange screw
30	20533497	1	Cover
31	20532891	1	Seal