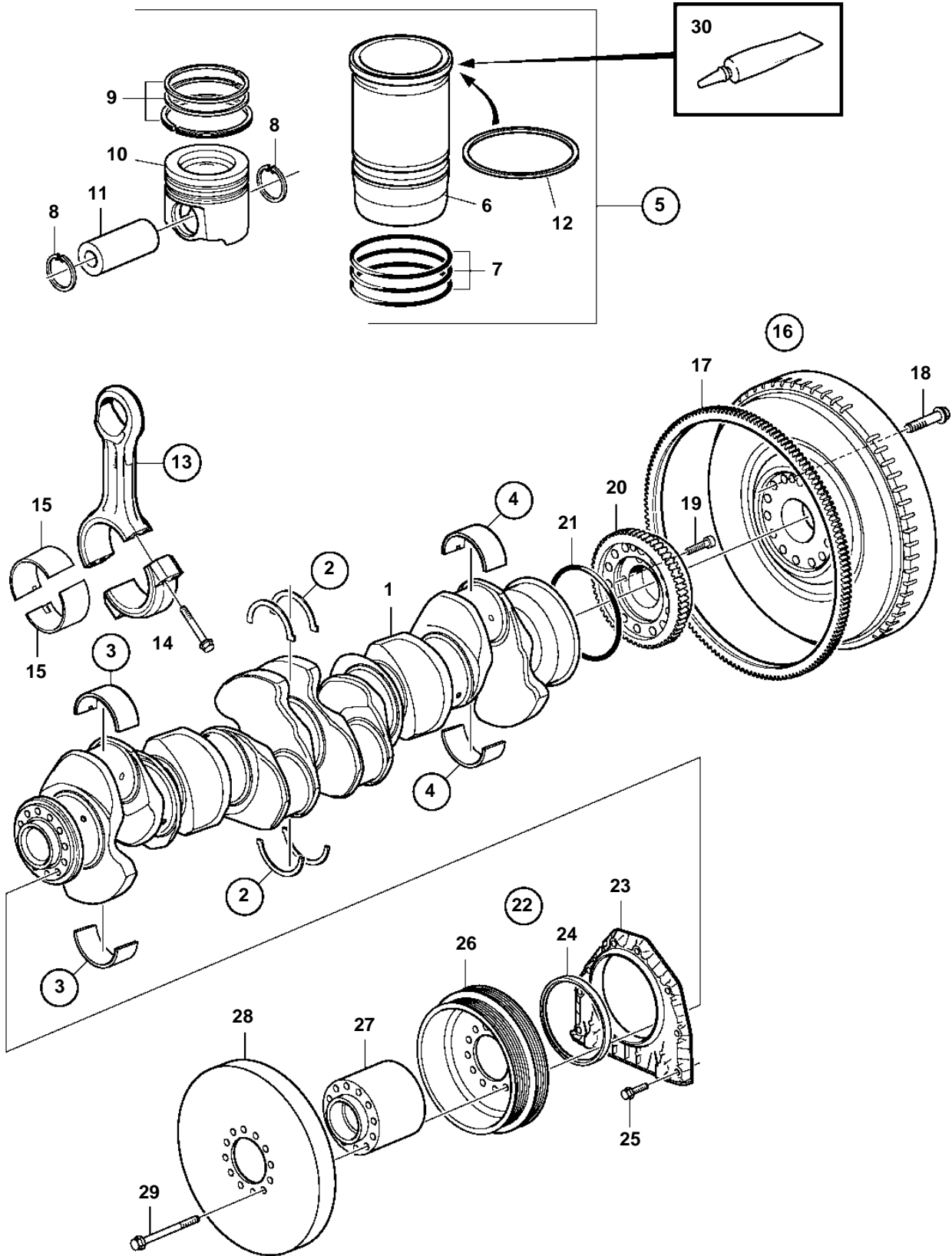


D16C-A MH



## D16C-A MH

REF	PART NO.	QTY	DESCRIPTION	NOTES
1	20758947	1	Crankshaft	
2	270929	1	Thrust washer kit	STD
	270930	1	Thrust washer kit	O.S=0,10mm
	270931	1	Thrust washer kit	O.S=0,20mm
	270932	1	Thrust washer kit	O.S=0,30mm
3	20578851	6	Main bearing kit	STD. SN002477-.
	20700881	6	Main bearing kit	O.S=0,25mm. SN002477-.
	20700882	6	Main bearing kit	O.S=0,50mm. SN002477-.
	20700886	6	Main bearing kit	O.S=1,00mm. SN002477-.
4	20578853	1	Main bearing kit	STD. SN002477- Bearing no 7.
	20700890	1	Main bearing kit	O.S=0,25mm. SN002477- Bearing no 7.
	20700891	1	Main bearing kit	O.S=0,50mm. SN002477- Bearing no 7.
	20700893	1	Main bearing kit	O.S=1,00mm. SN002477- Bearing no 7.
5	3886754	6	Cylinder liner kit	
6		6	· Cylinder liner	
7	20520607	6	· Sealing ring kit	
8	945483	12	· Snap ring	
9	3886753	6	· Piston ring kit	
10		6	· Piston	
11	8131232	6	· Piston pin	
12	20523555	X	Shim	TH = 0,2mm
	20523556	X	Shim	TH = 0,3mm
	20523557	X	Shim	TH=0,5mm
13	20898603	6	Connecting rod	Bushing included in connecting rod.
14	8131198	24	· Screw	
15	20586602	6	Big end bearing kit	STD
	20586603	6	Big end bearing kit	O.S=0,25mm
	20586604	6	Big end bearing kit	O.S=0,50mm
	20586605	6	Big end bearing kit	O.S=0,75mm
	20586606	6	Big end bearing kit	O.S=1,00mm
	20586607	6	Big end bearing kit	O.S=1,25mm
16	3840066	1	Flywheel	
17	20711957	1	· Gear ring	
18	3155075	12	Flange screw	
19	20741747	2	Flange screw	
20	20888560	1	Gear	Pin included in gear
21	85108352	1	Sealing ring	
22	20777233	1	Cover	
23		1	· Cover	
24	1549398	1	· Crankshaft seal	
25	946671	8	Flange screw	
26	3837486	1	Pulley	
27	3840302	1	Adapter	
28	3586602	1	Vibration damper	
29	965229	12	Flange screw	
30	1161277	X	Sealant	20g