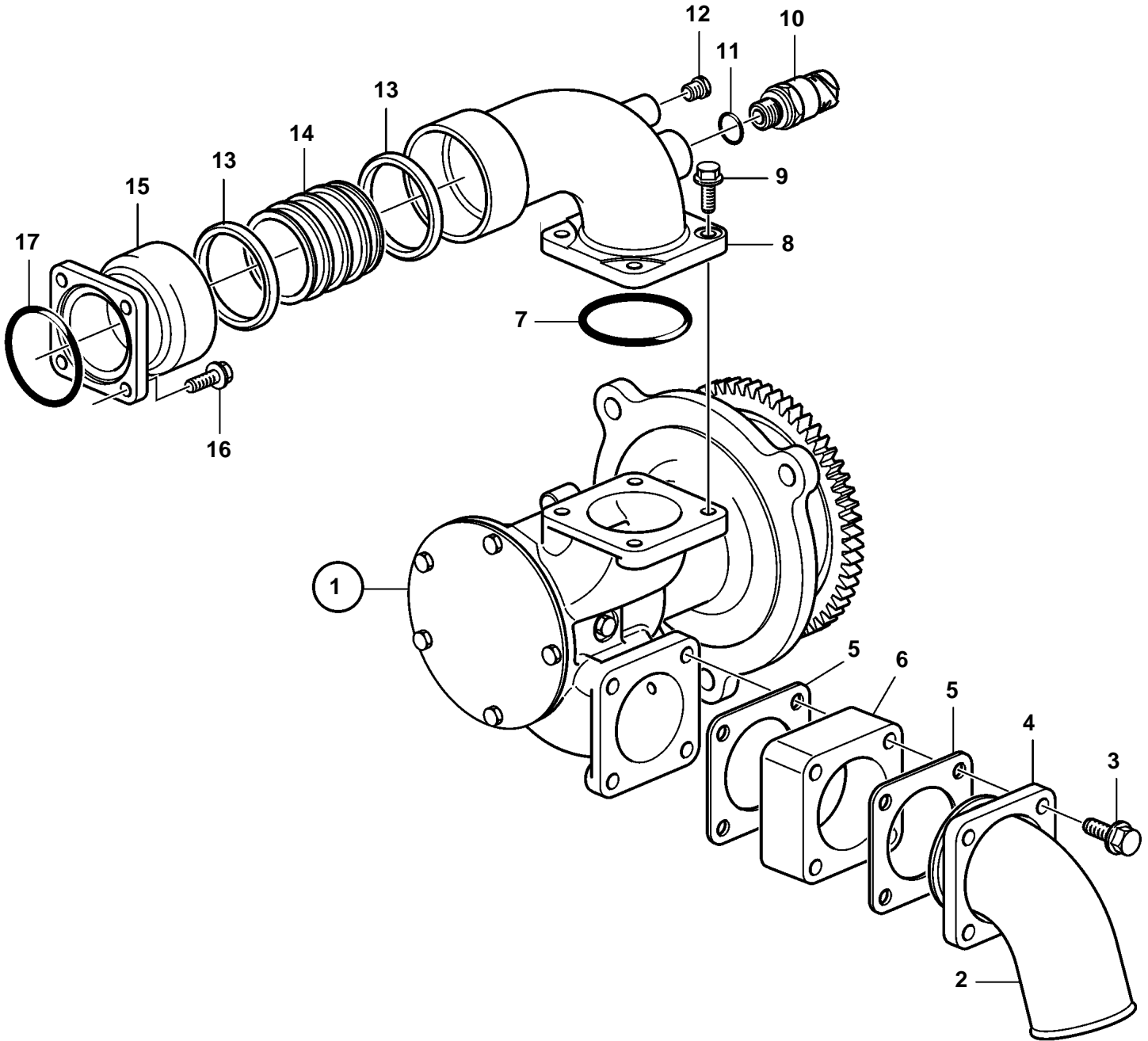


D16C-A MH, D16C-A MG



23227

D16C-A MH, D16C-A MG

REF	PART NO.	QTY	DESCRIPTION	SEE SEC.
1	3589104	1	Sea water pump	
				9907
2	3828559	1	Hose attachment	
3	965222	4	Screw	
4	3886642	1	Flange	
5	862583	2	Gasket	
6	3886642	1	Flange	
7	925073	1	O-ring	
8	3883781	1	Tube	
9	946173	4	Flange screw	
10	874329	1	Pressure sensor	
11	11998	1	Gasket	
12	981749	1	Plug	
13	863209	2	Sealing ring	
14	866610	1	Sleeve	
15	866612	1	Pipe connection	
16	946173	4	Flange screw	
17	925072	1	O-ring	