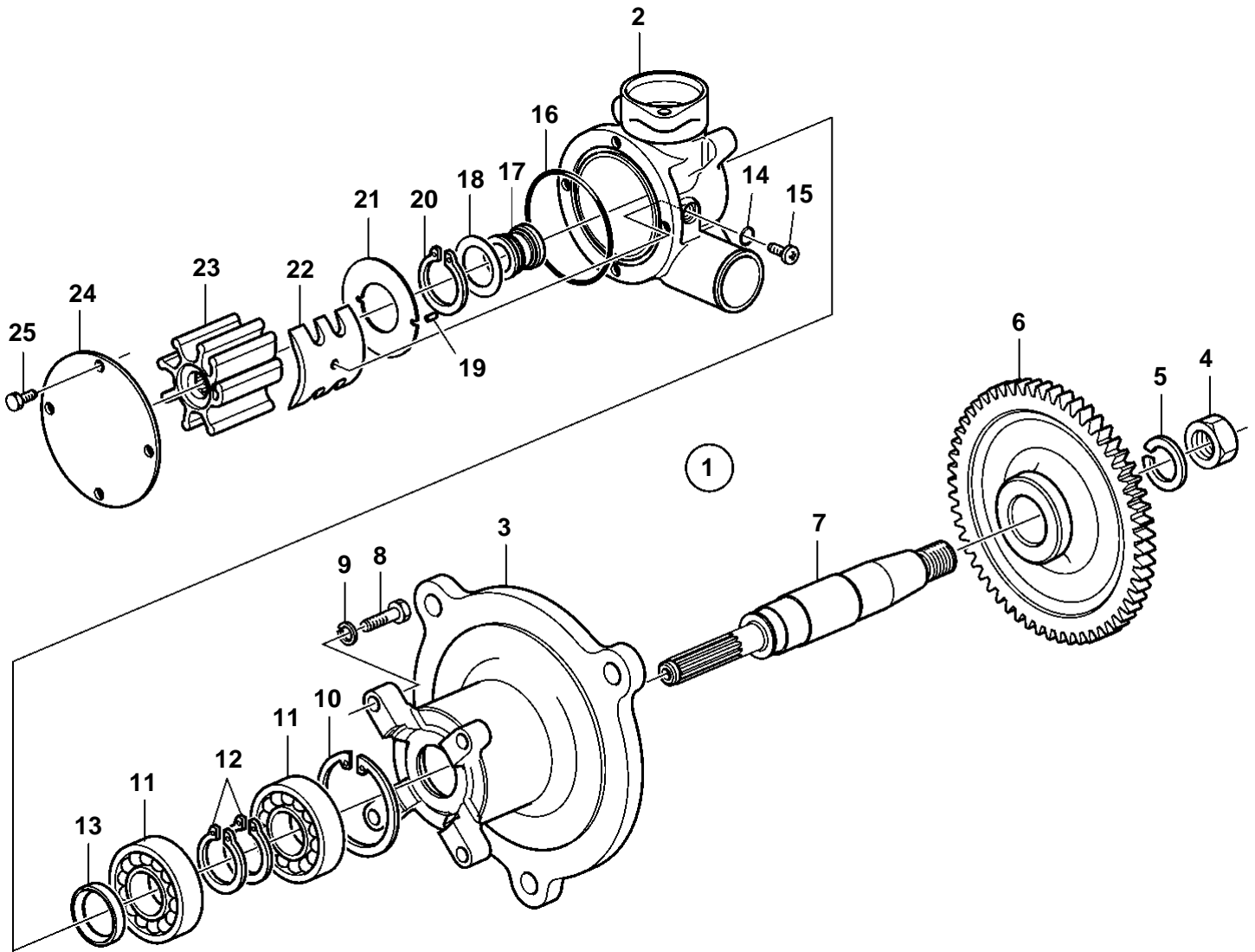


D16C-A MH, D16C-A MG



23230

D16C-A MH, D16C-A MG

REF	PART NO.	QTY	DESCRIPTION
1	3589550	1	Sea water pump
2		1	· Pump housing
3		1	· Bearing housing
4	3587886	1	· Nut
5	941914	1	· Spring washer
6	8131848	1	· Gear
7		1	· Shaft
8	940135	4	· Screw
9	941907	4	· Spring washer
10	825735	1	· Lock ring
11	11013	2	· Ball bearing
12	847230	2	· Lock ring
13	3587882	1	· Seal
14	3583614	1	· O-ring
15	3883927	1	· Screw
16		1	· O-ring
17	3883926	1	· Seal
18	888388	1	· Support washer
19	888387	1	· Pin
20	809444	1	· Lock ring
21	807589	1	· Wear washer
22	3883923	1	· Cam
23		1	· Impeller
24		1	· Cover
25	3583604	4	· Screw