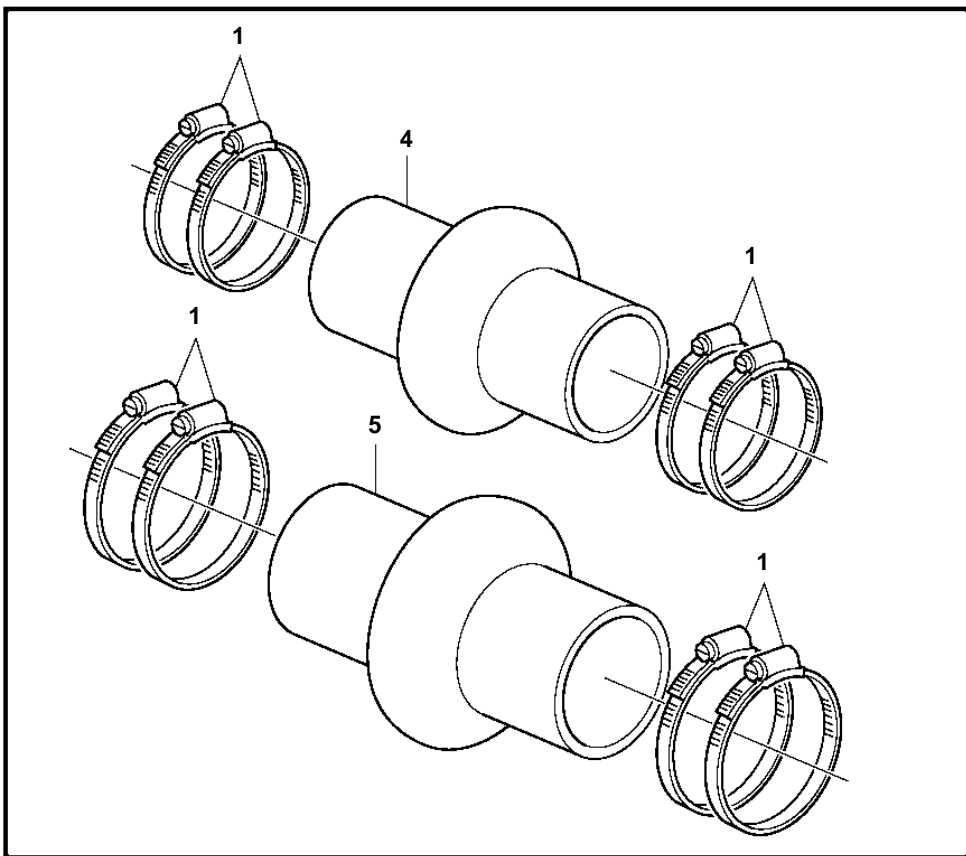
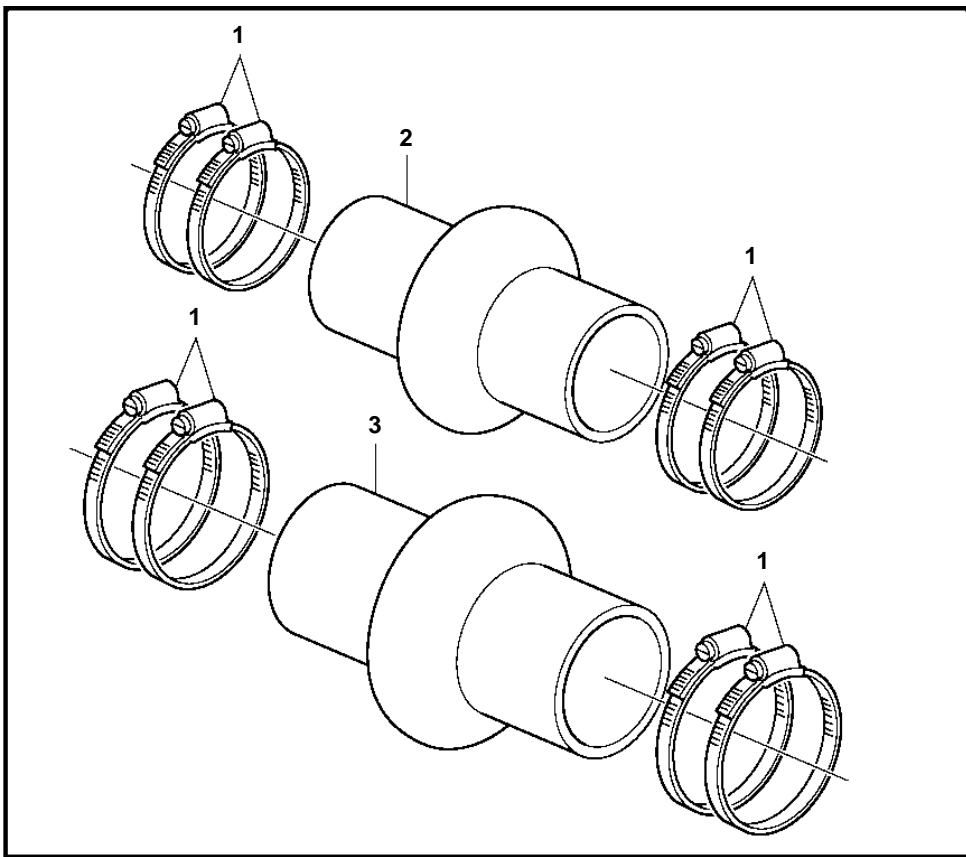


D16C-A MH, D16C-A MG



23307

D16C-A MH, D16C-A MG

| REF | PART NO. | QTY | DESCRIPTION | NOTES |
|-----|----------|-----|-----------------|---------------------------------------------|
| 1 | | 16 | Hose clamp | 42,4x160mm |
| 2 | 3884311 | 1 | Hose connection | 54x67mm. For engine mounted heat exchanger. |
| 3 | 3832746 | 1 | Hose connection | For engine mounted heat exchanger. |
| 4 | 3884567 | 2 | Hose connection | 38x50mm. For engines with ceel cooling. |
| 5 | 3832743 | 2 | Hose connection | 48.3x61. For engines with ceel cooling. |
| | | | | |
| | | | | |
| | | | | |
| | | | | |
| | | | | |
| | | | | |
| | | | | |
| | | | | |
| | | | | |
| | | | | |
| | | | | |
| | | | | |
| | | | | |
| | | | | |
| | | | | |
| | | | | |
| | | | | |
| | | | | |
| | | | | |
| | | | | |

