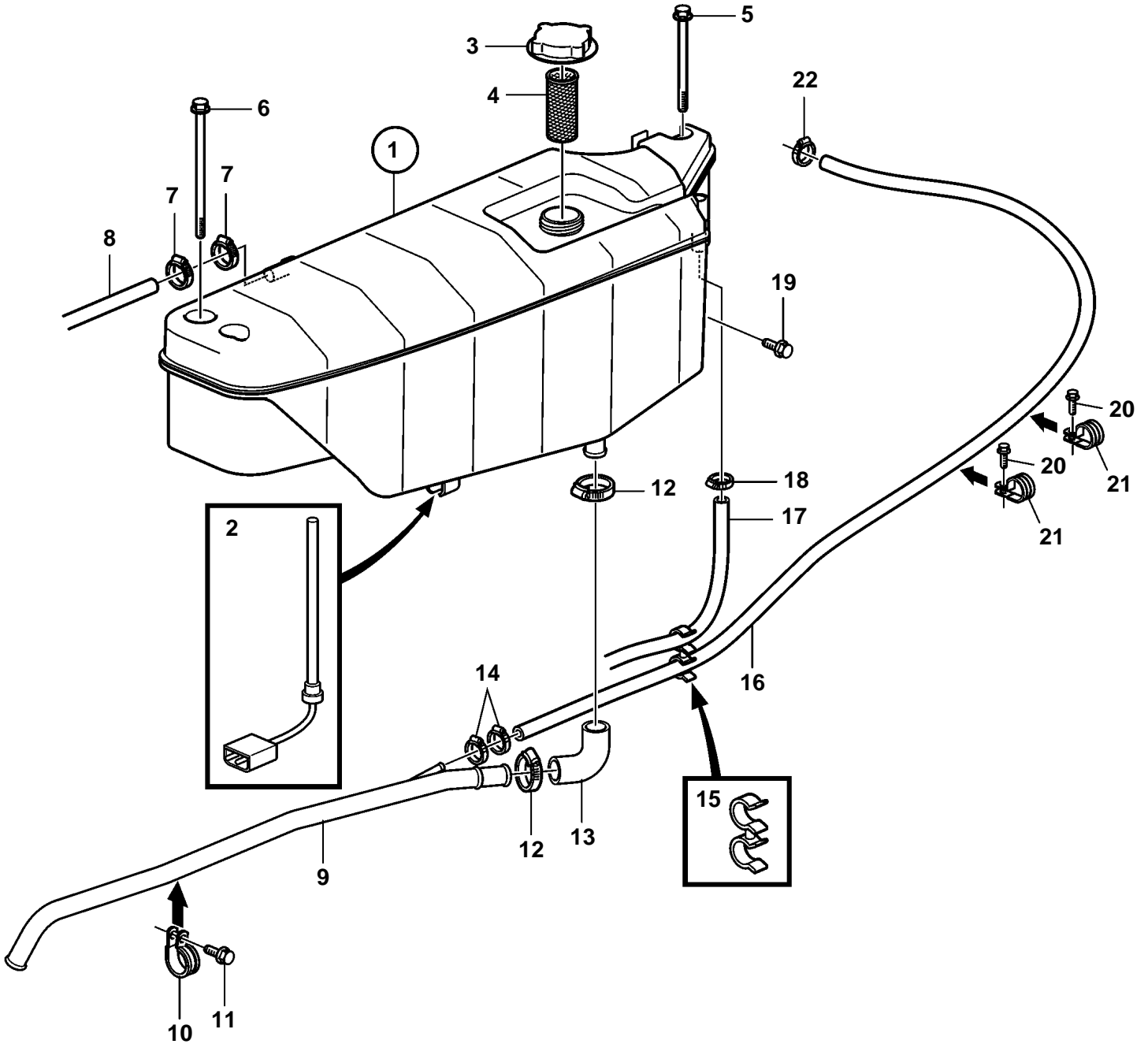


D16C-A MH, D16C-A MG



23224

D16C-A MH, D16C-A MG

REF	PART NO.	QTY	DESCRIPTION	NOTES
1	3885197	1	Expansion tank	
2	3588990	1	· Level sensor	
3	1674083	1	· Pressure cap	
4	888046	1	Pipe	
5	968842	2	Flange screw	
6	968893	2	Screw	
7	961663	2	Clamp	
8	943367	1	Hose	L=750mm
9	3807108	1	Water pipe	
10	945081	1	Clamp	
11	946440	1	Flange screw	
12	961666	2	Hose clamp	
13	3807104	1	Rubber hose	
14	961663	2	Clamp	
15	981857	1	Retainer	
16	943366	1	Hose	L=1400mm
17	943367	1	Hose	L=1000mm
18	961663	1	Clamp	
19	946440	1	Flange screw	
20	946440	2	Flange screw	
21	949747	2	Clamp	
22	943471	1	Hose clamp	