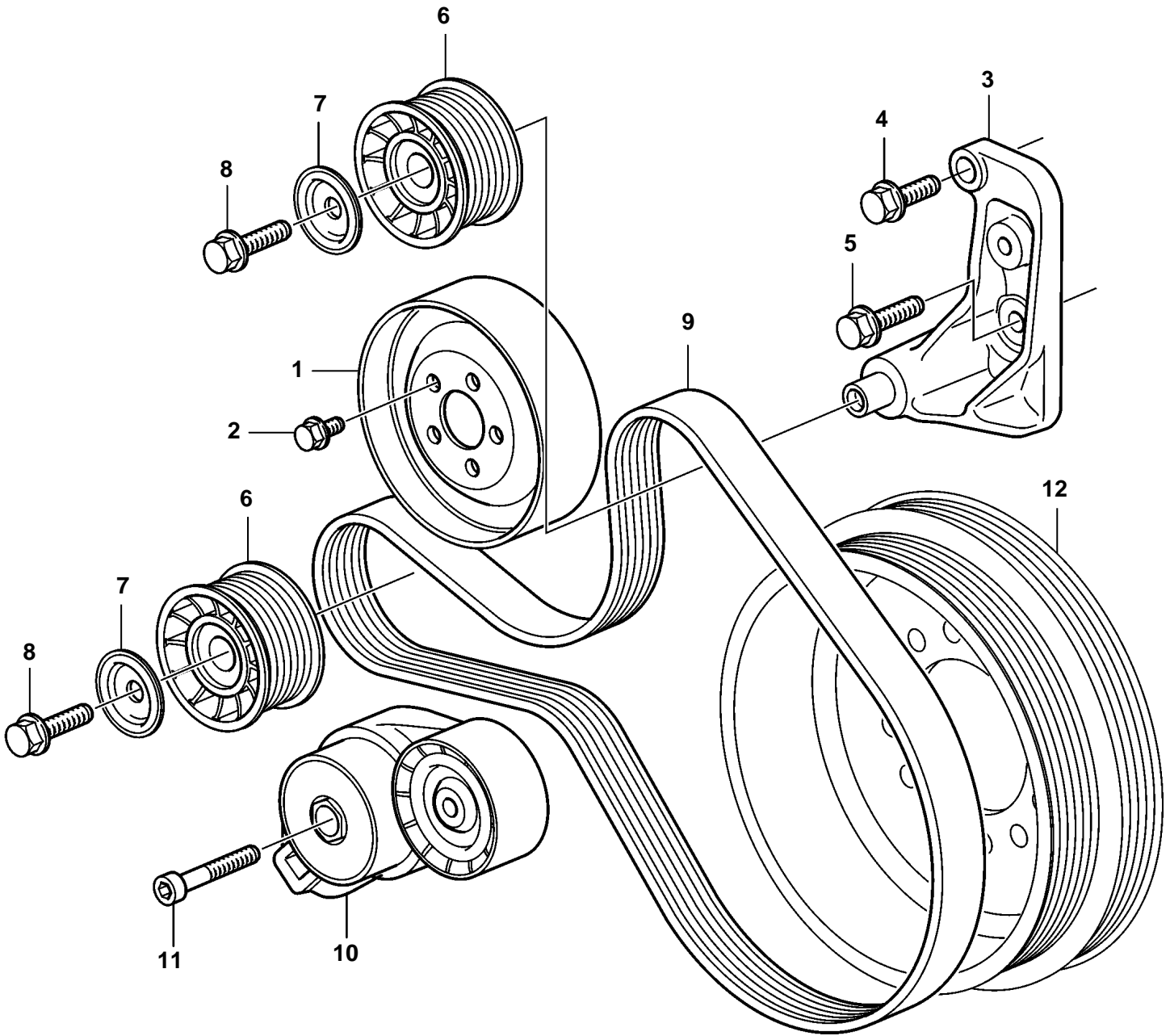


D16C-A MH, D16C-A MG



23315

D16C-A MH, D16C-A MG

| REF | PART NO. | QTY | DESCRIPTION | SEE SEC. |
|-----|----------|-----|----------------|----------|
| 1 | 20538853 | 1 | Pulley | |
| 2 | 947107 | 5 | Flange screw | |
| 3 | 3812765 | 1 | Bracket | |
| 4 | 946472 | 1 | Screw | |
| 5 | 946752 | 1 | Flange screw | |
| 6 | 8086970 | 2 | Pulley | |
| 7 | 8097084 | 2 | Dust cover | |
| 8 | 946752 | 2 | Flange screw | |
| 9 | 3884488 | 1 | Drive belt | |
| 10 | 20487079 | 1 | Belt tensioner | |
| 11 | 959249 | 1 | Screw | |
| 12 | | 1 | Pulley | 9859 |