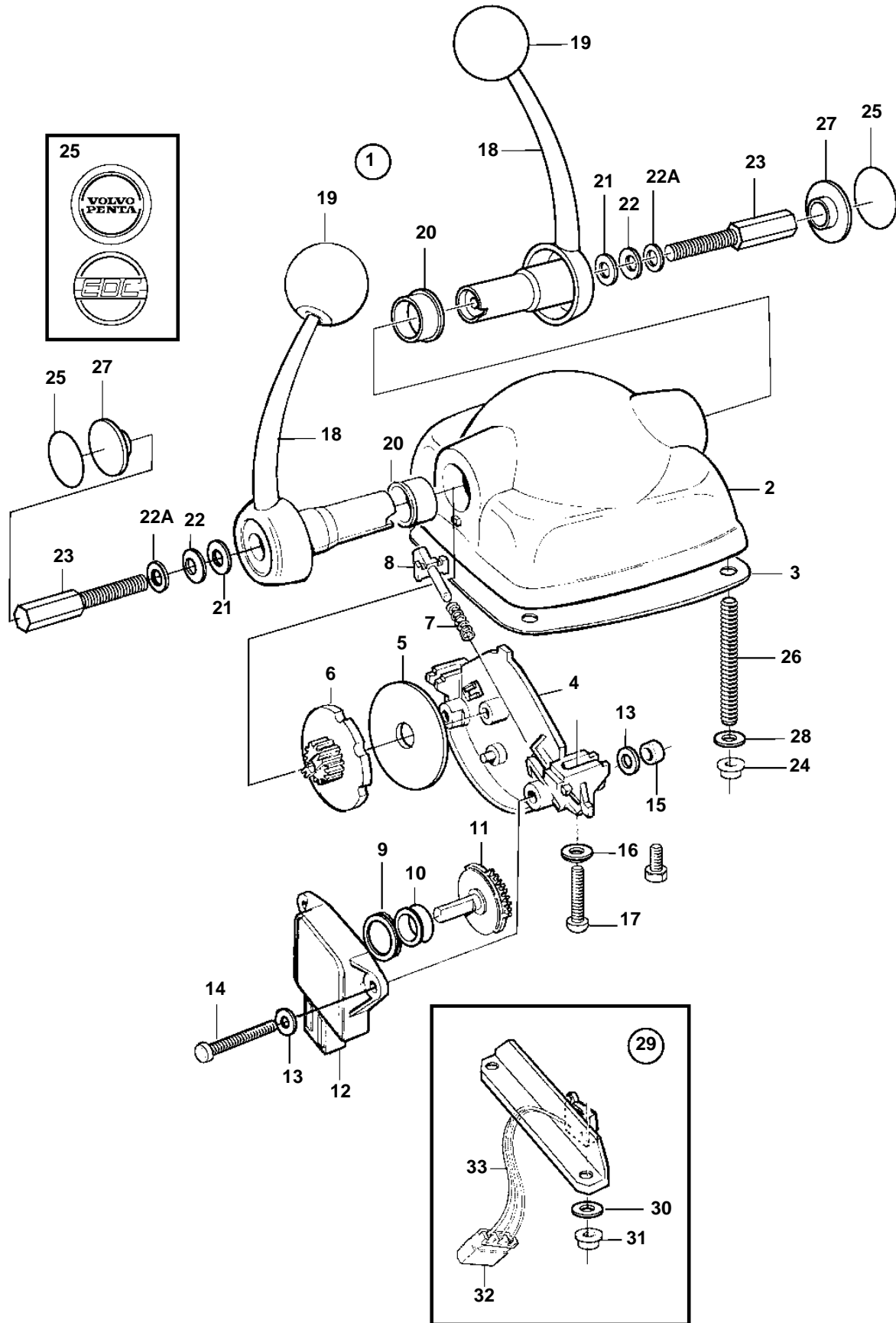


KAMD44P-B, KAD44P-B, KAMD44P-C, KAD44P-C KAMD300-A, KAD300-A, D12C-A MP, D12D-A MP, D12D-B MP, D12D-A MH, D12D-B MH, D9A2A 425, 500, 575, D9A2A MH



KAMD44P-B, KAD44P-B, KAMD44P-C, KAD44P-C KAMD300-A, KAD300-A, D12C-A MP, D12D-A MP, D12D-B MP, D12D-A MH, D12D-B MH, D9A2A 425, 500, 575, D9A2A MH

REF	PART NO.	QTY	DESCRIPTION	NOTES
1	3819900	1	Control	For twin installation.. Stainless.. With neutralswitch.
	3819902	1	Control	For twin installation.. Stainless.. With neutralswitch.
2		1	· Control housing	
3	3581674	1	· Gasket	
4		1	· Plate	
5	3581666	2	· Washer	
6		2	· Plate	
7		2	· Spring	
8		2	· Lug	
9		2	· Spacer ring	
10	3581676	2	· Ring	
11	3581668	2	· Gear	
12	1336385	2	· Potentiometer	
13		4	· Washer	
14	3581678	2	· Screw	
15	3581680	2	· Nut	
16		2	· Washer	
17	3581681	2	· Screw	
18		2	· Lever	
19	3581675	2	· Ball	
20	3581673	2	· Bearing	
21		2	· Washer	
22		2	· Disc spring	
22A		2	· Washer	
23		2	· Adjusting screw	
24	3581686	4	· Nut	
25	3584000	2	· Decal	VOLVO PENTA
	3581669	2	· Decal	EDC
26		4	· Stud	
27	3582830	2	· Plug	For 874663. Plastic
		2	· Plug	For 874813. Stainless.
28		4	· Washer	
29	3818851	2	Switch kit	(873870)
30		4	· Washer	
31		4	· Nut	
32		X	· Housing	SEE GROUP 30
33		X	· Cable	SEE GROUP 30