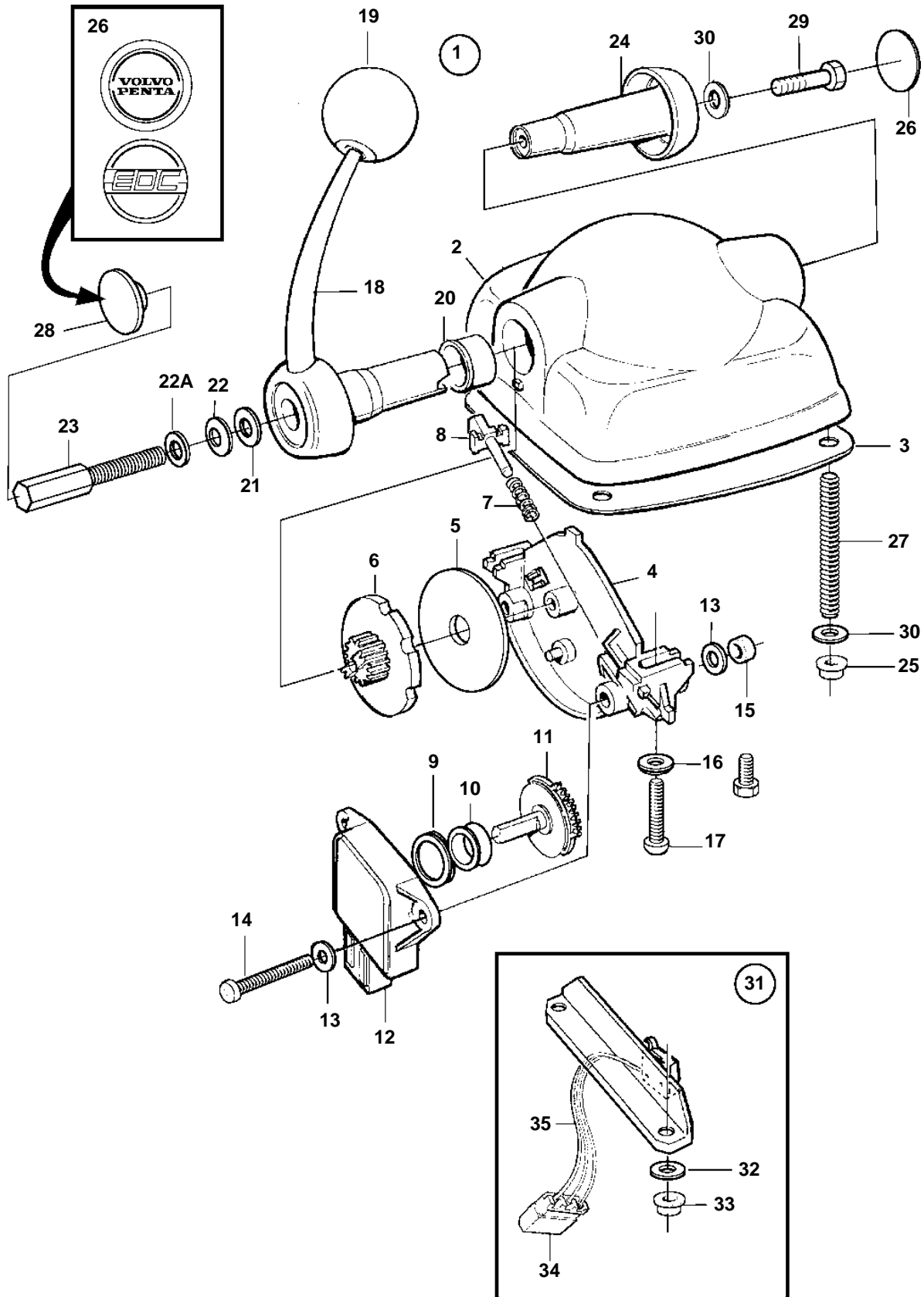


KAMD44P-B, KAD44P-B, KAMD44P-C, KAD44P-C KAMD300-A, KAD300-A, D12C-A MP, D12D-A MP, D12D-B MP, D12D-A MH, D12D-B MH, D9A2A 425, 500, 575, D9A2A MH



KAMD44P-B, KAD44P-B, KAMD44P-C, KAD44P-C KAMD300-A, KAD300-A, D12C-A MP, D12D-A MP, D12D-B MP, D12D-A MH, D12D-B MH, D9A2A 425, 500, 575, D9A2A MH

| REF | PART NO. | QTY | DESCRIPTION | NOTES |
|-----|----------|-----|-------------------|-----------------------------------------------------------|
| 1 | 3819899 | 1 | Control | For singel installation.. Black.. With neutralswitch. |
| | 3819901 | 1 | Control | For singel installation.. Stainless.. With neutralswitch. |
| 2 | | 1 | • Control housing | |
| 3 | 3581674 | 1 | • Gasket | |
| 4 | | 1 | • Plate | |
| 5 | 3581666 | 1 | • Washer | |
| 6 | | 1 | • Plate | |
| 7 | | 1 | • Spring | |
| 8 | | 1 | • Lug | |
| 9 | | 1 | • Spacer ring | |
| 10 | 3581676 | 1 | • Ring | |
| 11 | 3581668 | 1 | • Gear | |
| 12 | 1336385 | 1 | • Potentiometer | |
| 13 | | 4 | • Washer | |
| 14 | 3581678 | 2 | • Screw | |
| 15 | 3581680 | 2 | • Nut | |
| 16 | | 2 | • Washer | |
| 17 | 3581681 | 2 | • Screw | |
| 18 | | 1 | • Lever | |
| 19 | 3581675 | 1 | • Ball | |
| 20 | 3581673 | 1 | • Bearing | |
| 21 | | 1 | • Washer | |
| 22 | | 1 | • Disc spring | |
| 22A | | 1 | • Washer | |
| 23 | | 1 | • Adjusting screw | |
| 24 | 3581687 | 1 | • Plug | |
| 25 | 3581686 | 4 | • Nut | |
| 26 | 3584000 | 1 | • Decal | VOLVO PENTA |
| | 3581669 | 1 | • Decal | EDC |
| 27 | | 4 | • Stud | |
| 28 | 3582830 | 1 | • Plug | For 874734. Plastic |
| 29 | | 1 | • Plug | For 3807509. Stainless. |
| | | 1 | • Screw | |
| 30 | | 5 | • Washer | |
| 31 | 3818851 | 1 | Switch kit | (873870) |
| 32 | | 2 | • Washer | |
| 33 | | 2 | • Nut | |
| 34 | | X | • Housing | SEE GROUP 30 |
| 35 | | X | • Cable | SEE GROUP 30 |