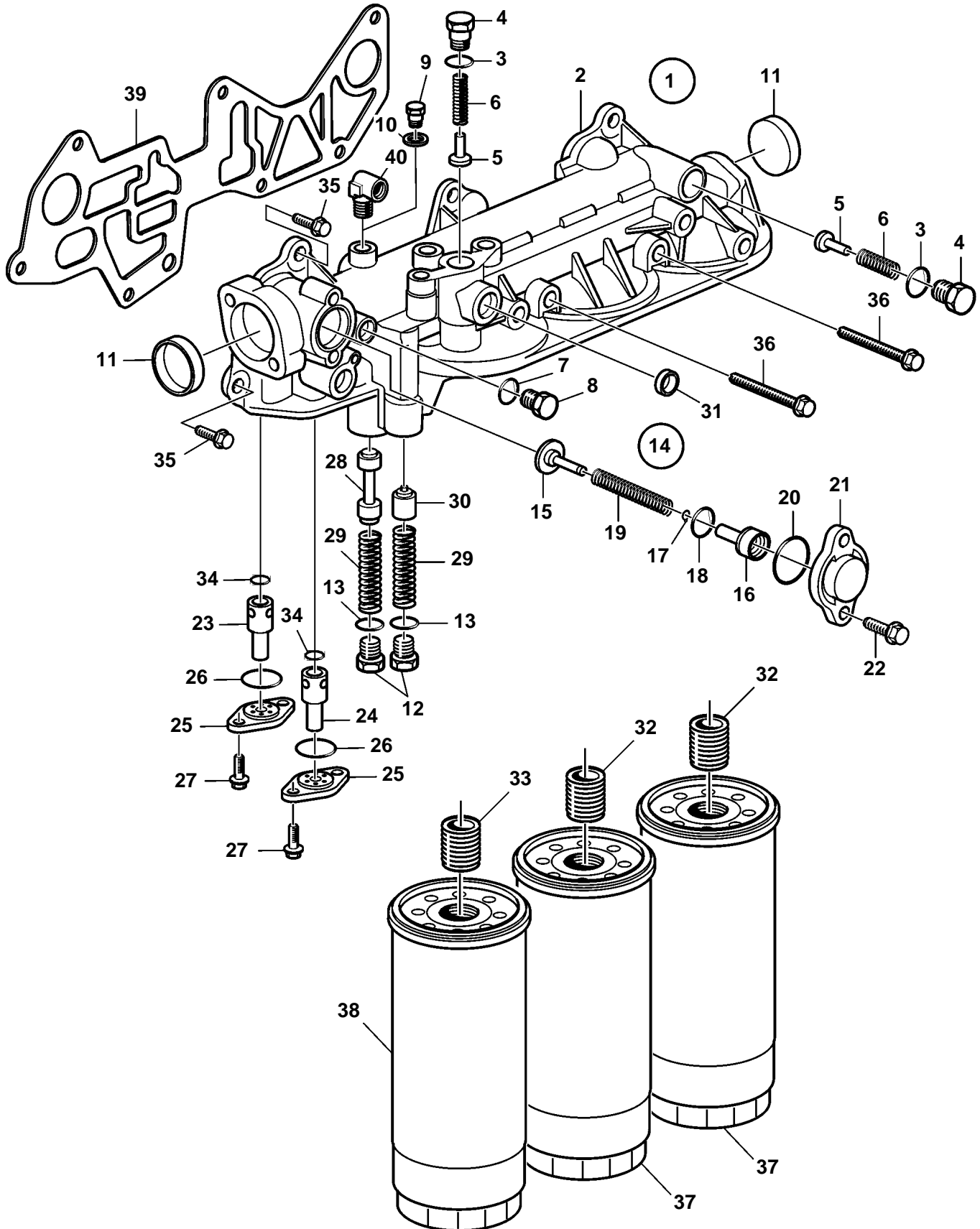


D16C-A MG, D16C-A MG RC



D16C-A MG, D16C-A MG RC

REF	PART NO.	QTY	DESCRIPTION	NOTES
1	8131100	1	Oil filter housing	
2		1	• Oil filter housing	
3	947627	2	• Gasket	
4	471598	2	• Plug	
5	471085	2	• Valve cone	
6	466653	2	• Compression spring	
7	11998	2	• Gasket	
8	960632	2	• Plug	
9	960628	1	• Plug	
10	947281	1	• Gasket	
11	20478143	2	• Cap plug	
12	20381215	2	• Plug	
13	947629	2	• Gasket	
14	3169687	1	• Delivery valve	
15		1	• • Valve	
16		1	• • Valve guide	
17	955964	1	• • Snap ring	
18	976039	1	• • O-ring	
19		1	• • Spring	
20	949659	1	• O-ring	
21	3184806	1	• Cover	
22	947542	2	• Flange screw	
23	3826265	1	• Reduction valve	
24	471706	1	• Reduction valve	
25	471648	2	• Cover	
26	949659	2	• O-ring	
27	946544	4	• Flange screw	
28	20440781	1	• Piston	
29	20464676	2	• Spring	
30	20440779	1	• Valve cone	
31	946778	1	• Cap plug	
32	466623	2	• Nipple	
33	469904	1	• Nipple	
34	469846	2	• Sealing ring	
35	945444	5	Flange screw	
36	968999	2	Flange screw	
37	478736	2	Oil filter	
38	477556	1	Oil filter	
39	20823322	1	Gasket	
40	990916	1	Elbow nipple, pressure monitor/piston cooling	Replaced by elbow nipple 992106.
	992106	1	Elbow nipple, pressure monitor/piston cooling	