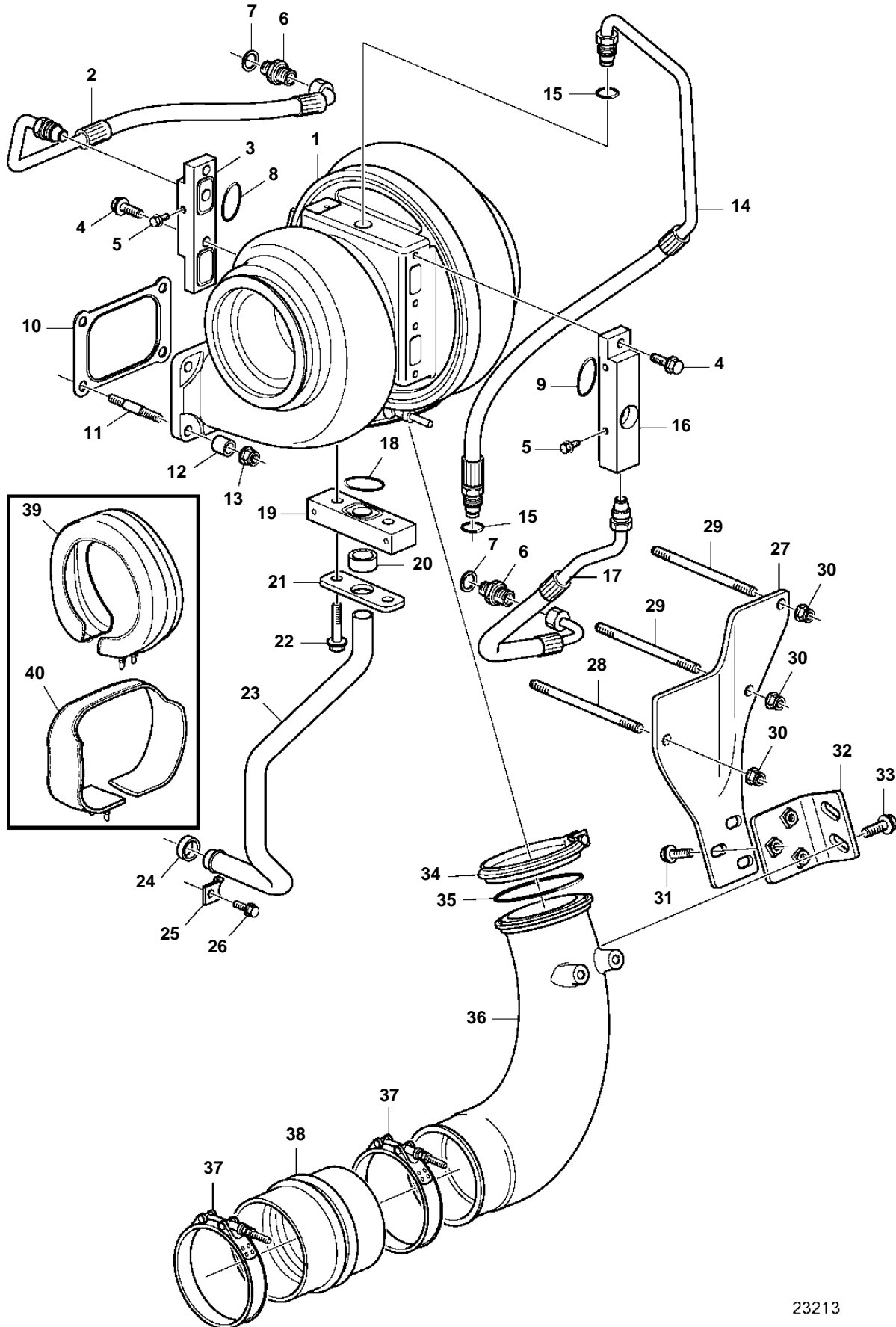


D16C-A MG, D16C-A MG RC



23213

**D16C-A MG, D16C-A MG RC**

| REF | PART NO. | QTY | DESCRIPTION        | SEE SEC. | NOTES     |
|-----|----------|-----|--------------------|----------|-----------|
| 1   | 3801119  | 1   | Turbocharger, exch |          |           |
| 2   | 3886690  | 1   | Hose               |          |           |
| 3   | 3886298  | 1   | Outlet flange      |          |           |
| 4   | 945444   | 4   | Flange screw       |          |           |
| 5   | 967949   | 3   | Flange screw       |          |           |
| 6   | 963948   | 2   | Nipple             |          |           |
| 7   | 11996    | 2   | Gasket             |          |           |
| 8   | 944126   | 2   | O-ring             |          |           |
| 9   | 944126   | 2   | O-ring             |          |           |
| 10  | 864859   | 1   | Gasket             |          |           |
| 11  | 20579303 | 4   | Stud               |          |           |
| 12  | 478344   | 4   | Spacer sleeve      |          |           |
| 13  | 1543499  | 4   | Flange nut         |          |           |
| 14  | 3849493  | 1   | Hose               |          | (3886694) |
| 15  | 976971   | 2   | O-ring             |          |           |
| 16  | 3849486  | 1   | Inlet flange       |          | (3886296) |
| 17  | 3886692  | 1   | Hose               |          |           |
| 18  | 925066   | 1   | O-ring             |          |           |
| 19  | 3886372  | 1   | Flange connection  |          |           |
| 20  | 469601   | 1   | Sealing ring       |          |           |
| 21  | 3886434  | 1   | Flange             |          |           |
| 22  | 947760   | 2   | Flange screw       |          |           |
| 23  | 3886955  | 1   | Oil pipe           |          |           |
| 24  | 1547255  | 1   | Sealing ring       |          |           |
| 25  | 1546531  | 1   | Lock brace         |          |           |
| 26  | 946440   | 1   | Flange screw       |          |           |
| 27  | 3885147  | 1   | Bracket            |          |           |
| 28  |          | 1   | Stud               | 9888     |           |
| 29  |          | 2   | Stud               | 9888     |           |
| 30  |          | 3   | Nut                | 9888     |           |
| 31  | 946173   | 3   | Flange screw       |          |           |
| 32  | 3885149  | 1   | Bracket            |          |           |
| 33  | 946329   | 1   | Flange screw       |          |           |
| 34  | 3886542  | 1   | V-band clamp       |          |           |
| 35  | 1675066  | 1   | Sealing ring       |          |           |
| 36  | 3818250  | 1   | Charge air pipe    |          |           |
| 37  | 20435760 | 2   | Clamp              |          |           |
| 38  | 3838792  | 1   | Charge air hose    |          |           |
| 39  | 3887846  | 1   | Protection         |          |           |
| 40  | 3887844  | 1   | Protection         |          |           |