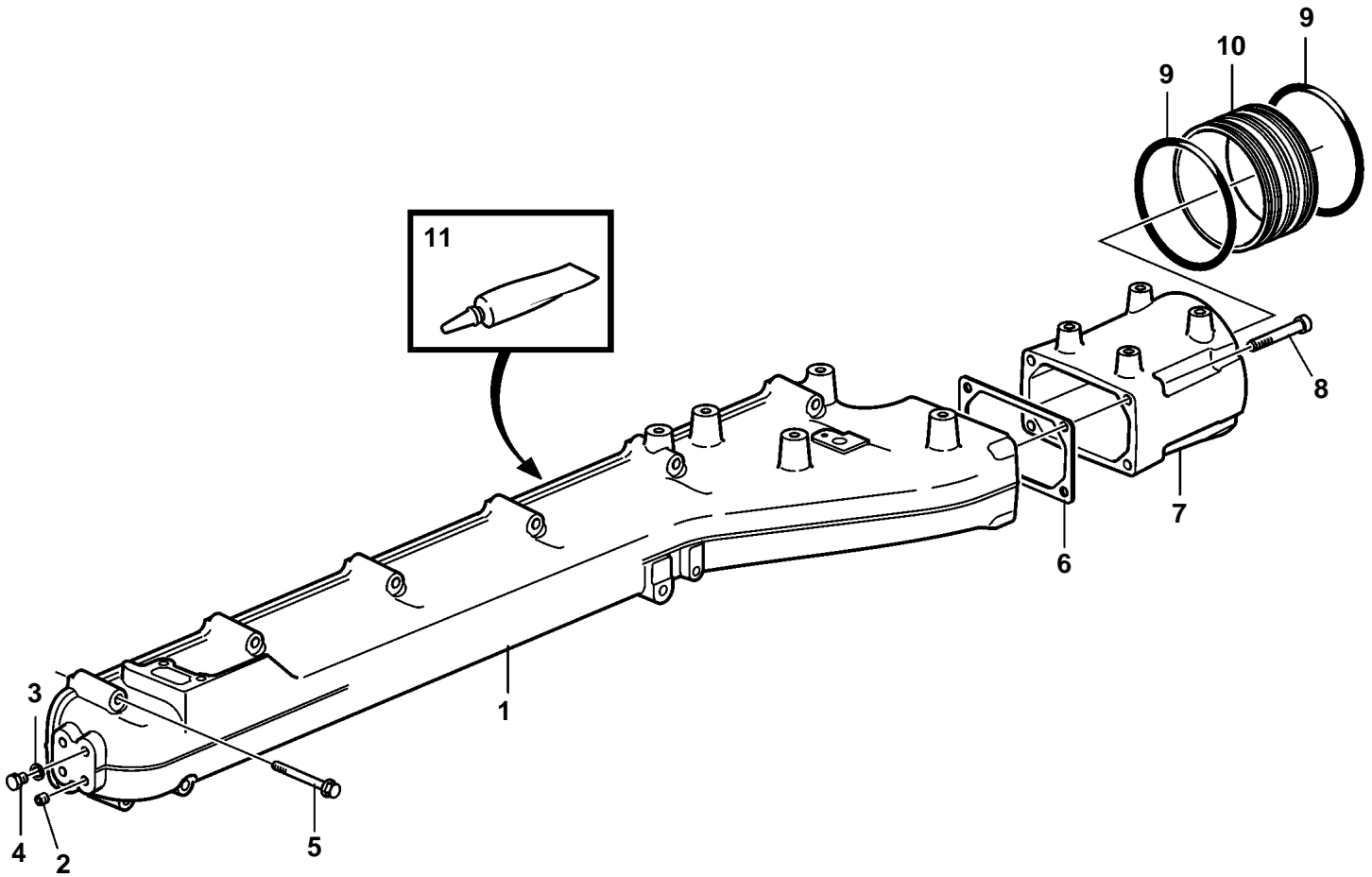
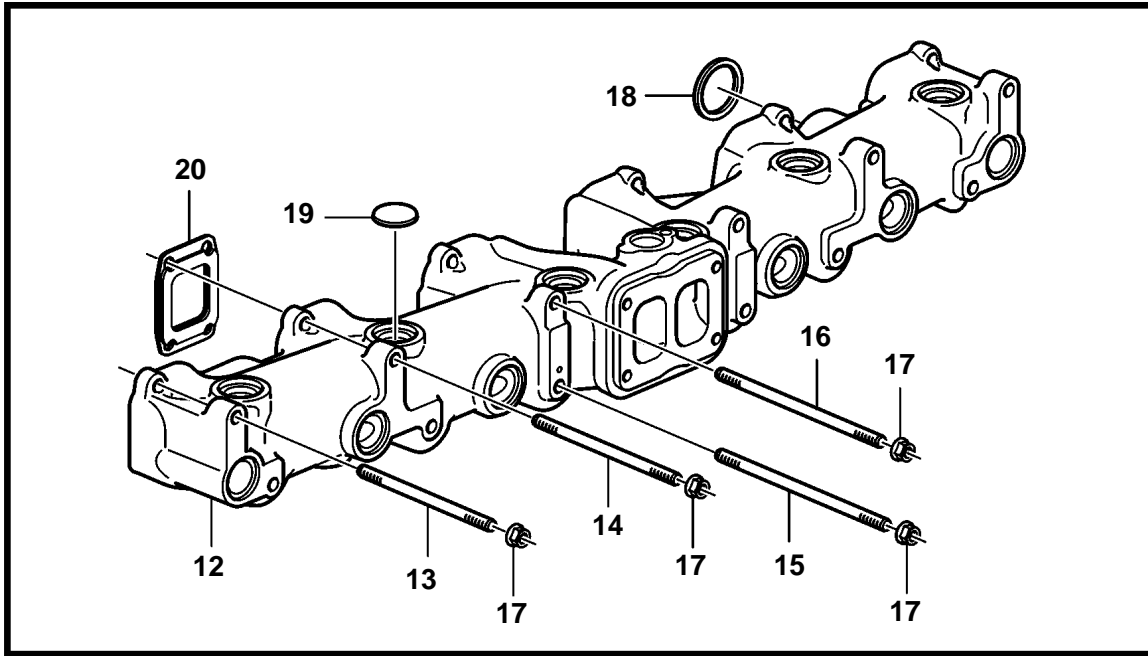


D16C-A MG



23209

D16C-A MG

REF	PART NO.	QTY	DESCRIPTION	SEE SEC.	NOTES
1	3887300	1	Inlet pipe		
2	479979	1	Plug		
3	947281	1	Gasket		
4	960628	1	Plug		
5	965181	12	Flange screw		
6	477314	1	Gasket		
7	3819105	1	Adapter		
8	963702	4	Hex. socket screw		
9	3812484	2	O-ring		
10	3808387	1	Connector		
11	1161231	X	Sealant		
12	3809130	1	Exhaust manifold		Replaced by 21269432
	21269432	1	Exhaust manifold	35828	Replaced by exhaust manifold 21322364
13	953007	4	Stud		
14	17378	4	Stud		
15	130200	2	Stud		
16	130201	2	Stud		
17	976432	12	Flange nut		
18	975693	2	O-ring		
19	968955	18	Expansion plug		
20	20744865	6	Gasket		