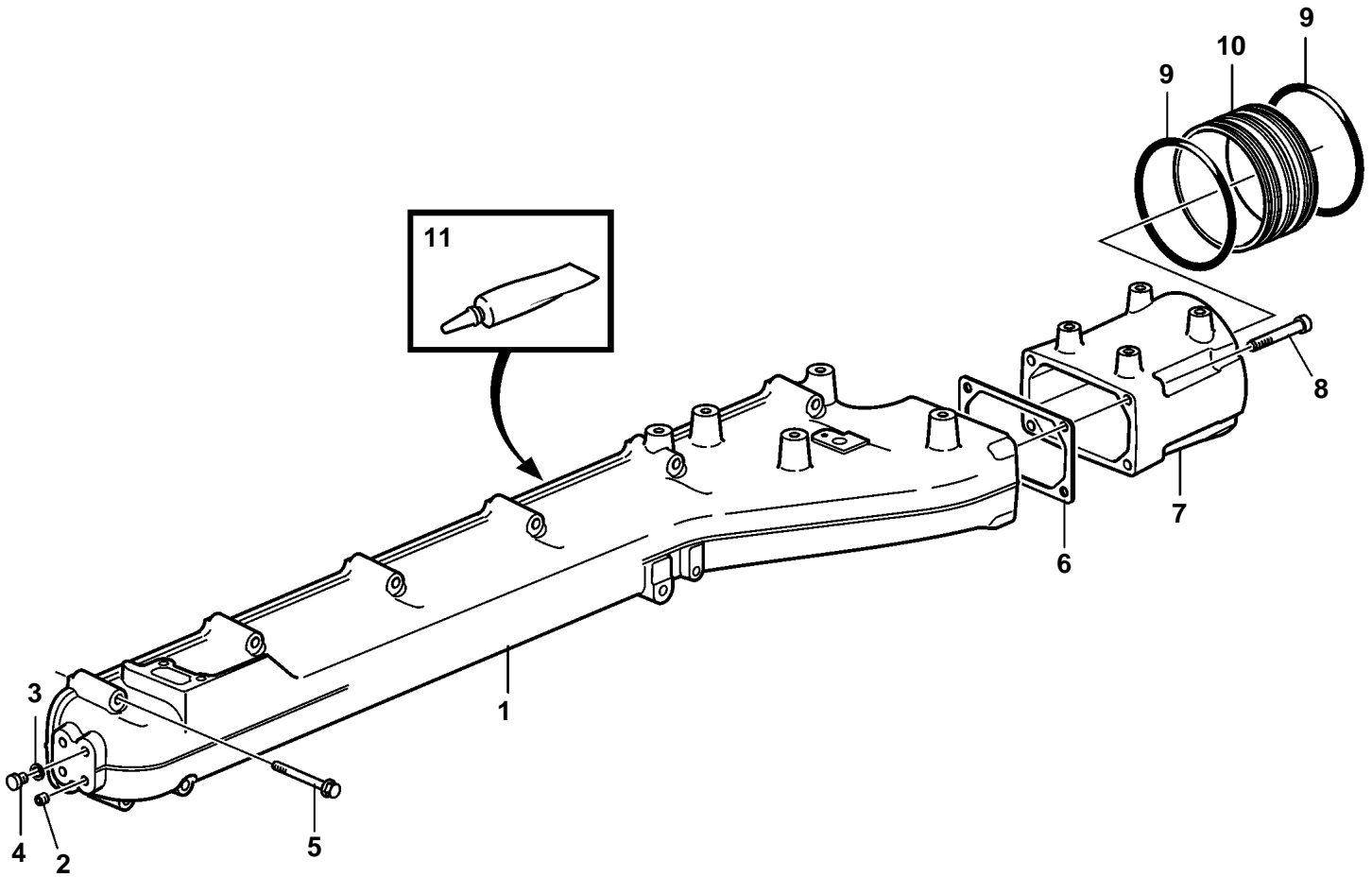
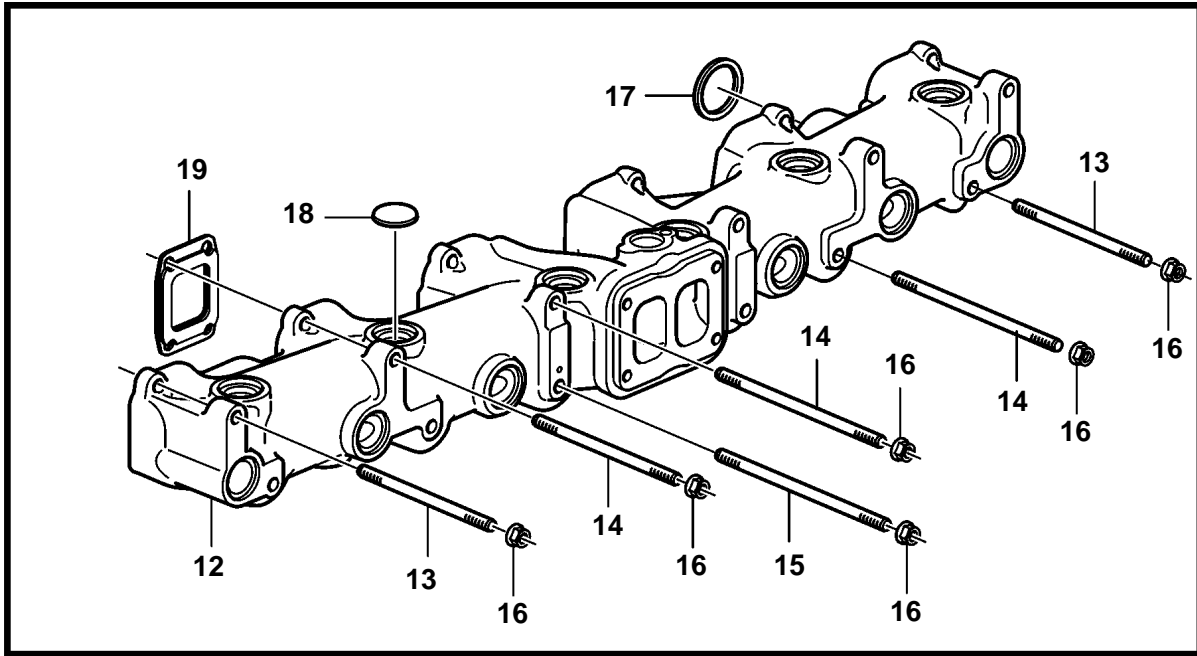


D16C-A MG



24925

D16C-A MG

REF	PART NO.	QTY	DESCRIPTION
1	3887300	1	Inlet pipe
2	479979	1	Plug
3	947281	1	Gasket
4	960628	1	Plug
5	965181	12	Flange screw
6	477314	1	Gasket
7	3819105	1	Adapter
8	963702	4	Hex. socket screw
9	3812484	2	O-ring
10	3808387	1	Connector
11	1161231	X	Sealant
12	21322364	1	Exhaust manifold
13	980558	4	Stud
14	994077	6	Stud
15	994078	2	Stud
16	976432	12	Flange nut
17	975693	2	O-ring
18	968955	18	Expansion plug
19	21352841	6	Gasket