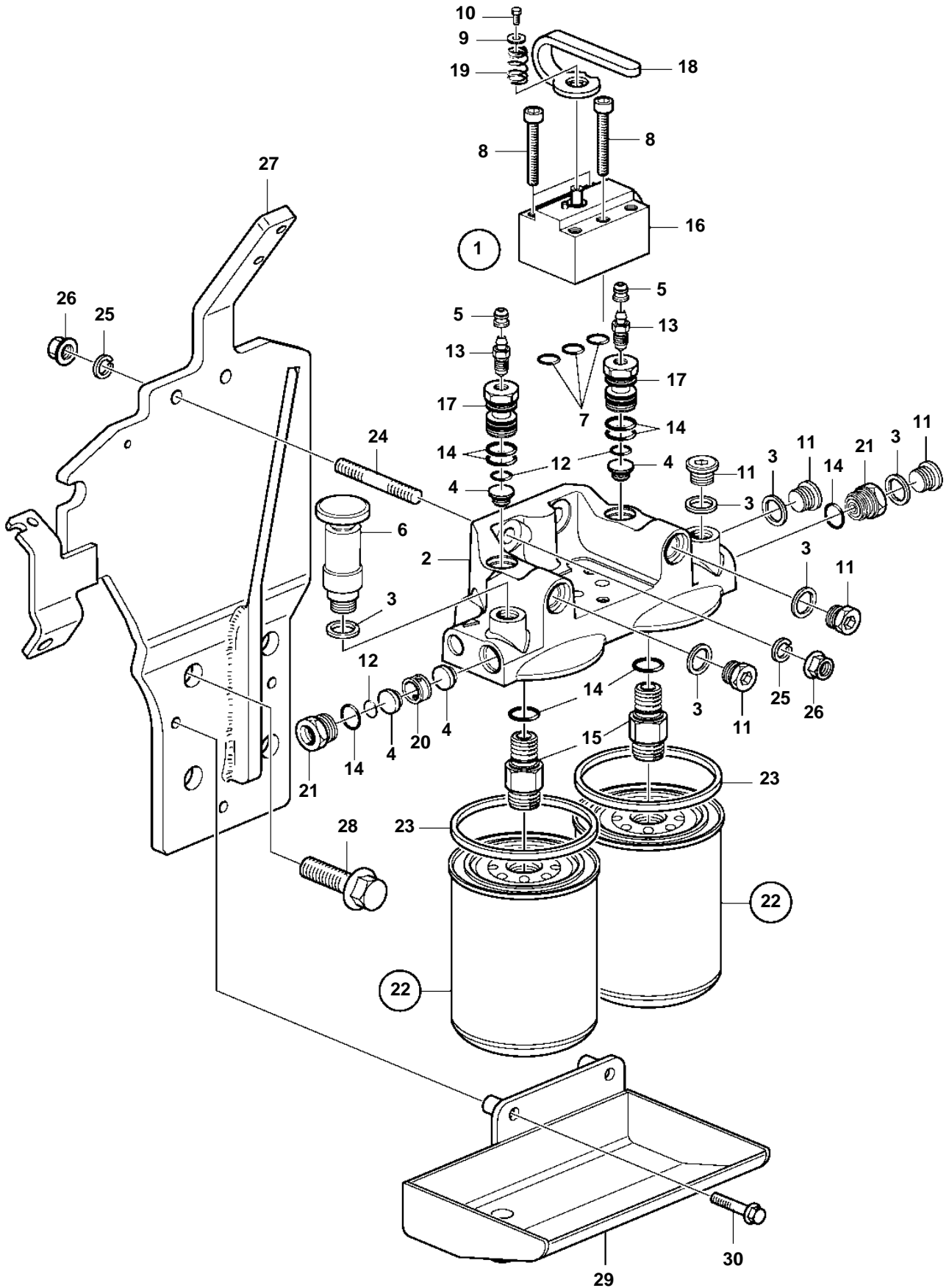


D16C-A MG, D16C-A MG RC



D16C-A MG, D16C-A MG RC

| REF | PART NO. | QTY | DESCRIPTION | NOTES |
|-----|----------|-----|-----------------------|-----------|
| 1 | 3889532 | 1 | Fuel filter housing | (3842872) |
| 2 | 3808691 | 1 | · Fuel filter housing | |
| 3 | 11996 | 5 | · Gasket | |
| 4 | 244834 | 4 | · Valve | |
| 5 | 20547976 | 2 | · Protecting cover | |
| 6 | 3837393 | 1 | · Hand pump | |
| 7 | 944364 | 3 | · O-ring | |
| 8 | 959227 | 3 | · Hex. socket screw | |
| 9 | 3839116 | 1 | · Cap washer | |
| 10 | 963537 | 1 | · Hexagon screw | |
| 11 | 966143 | 5 | · Plug | |
| 12 | 976971 | 3 | · O-ring | |
| 13 | 20548012 | 2 | · Faucet | |
| 14 | 1526474 | 8 | · O-ring | |
| 15 | 3831210 | 2 | · Nipple | |
| 16 | 3835369 | 1 | · Valve body | |
| 17 | 3835370 | 2 | · Nipple | |
| 18 | 3842870 | 1 | · Handle | |
| 19 | 3842868 | 1 | · Compression spring | |
| 20 | 3964717 | 1 | · Spacer sleeve | |
| 21 | 8148328 | 2 | · Nipple | |
| 22 | 3888460 | 2 | Fuel filter | |
| 23 | | 2 | · Gasket | |
| 24 | 977297 | 2 | Stud | |
| 25 | 941908 | 2 | Spring washer | |
| 26 | 971095 | 2 | Flange nut | |
| 27 | 40005169 | 1 | Bracket | |
| 28 | 968435 | 4 | Flange screw | |
| 29 | | 1 | Bracket | |
| 30 | 947760 | 3 | Flange screw | |