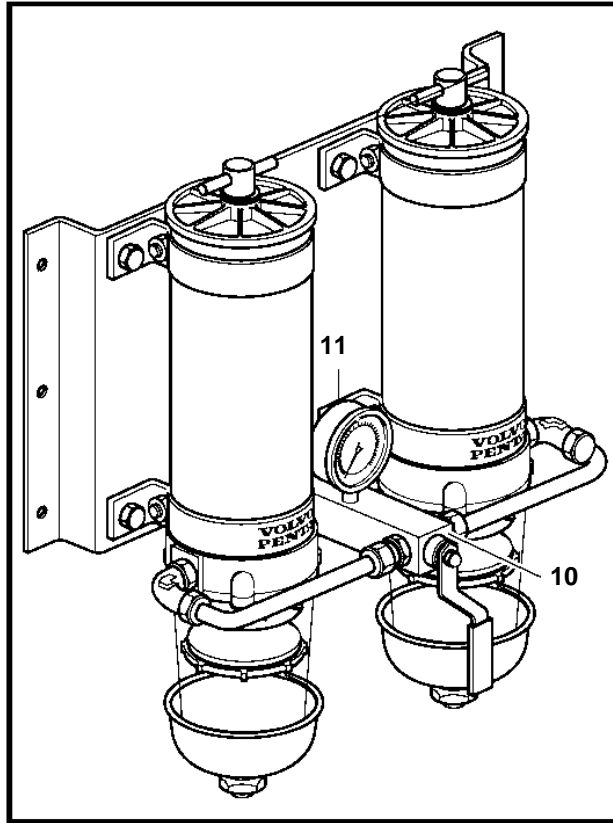
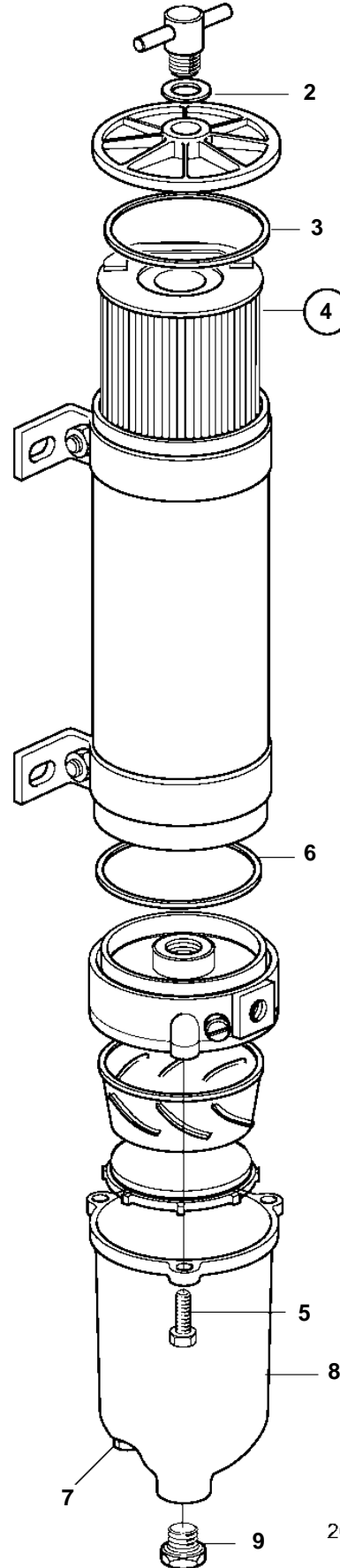


D16C-A MG, D16C-A MG RC



1



20359

D16C-A MG, D16C-A MG RC

REF	PART NO.	QTY	DESCRIPTION	NOTES
1	889281	1	Fuel filter	Metal bowl/heat shield. Flow max. 1363l/h
2	838506	2	· O-ring	
3	846719	2	· Gasket	
4	3838854	2	· Fuel filter insert	
5	940094	2	· Hexagon screw	
6	846719	2	· Gasket	
7	952075	2	· Plug	
8	3838851	2	· Bowl	
9	952075	2	· Plug	
10	3827300	2	· Block	
11	3827299	2	· Manometer	