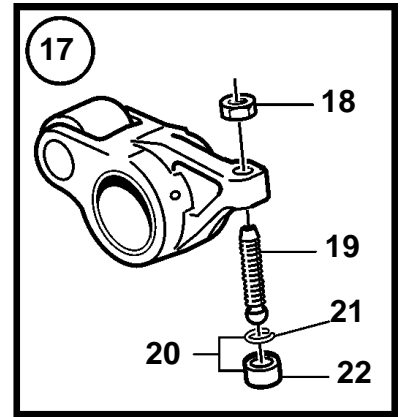
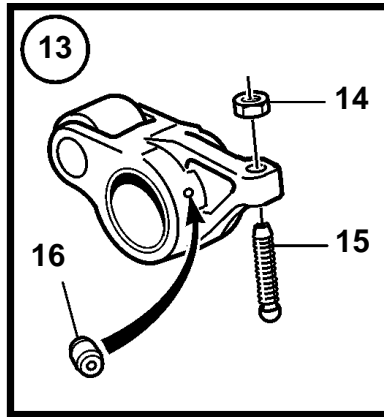
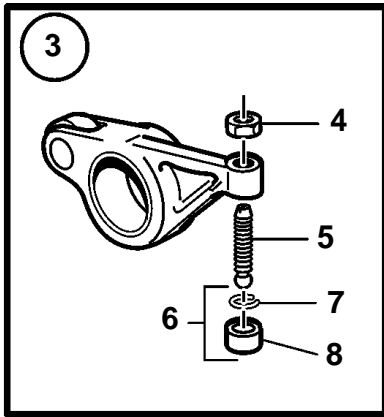
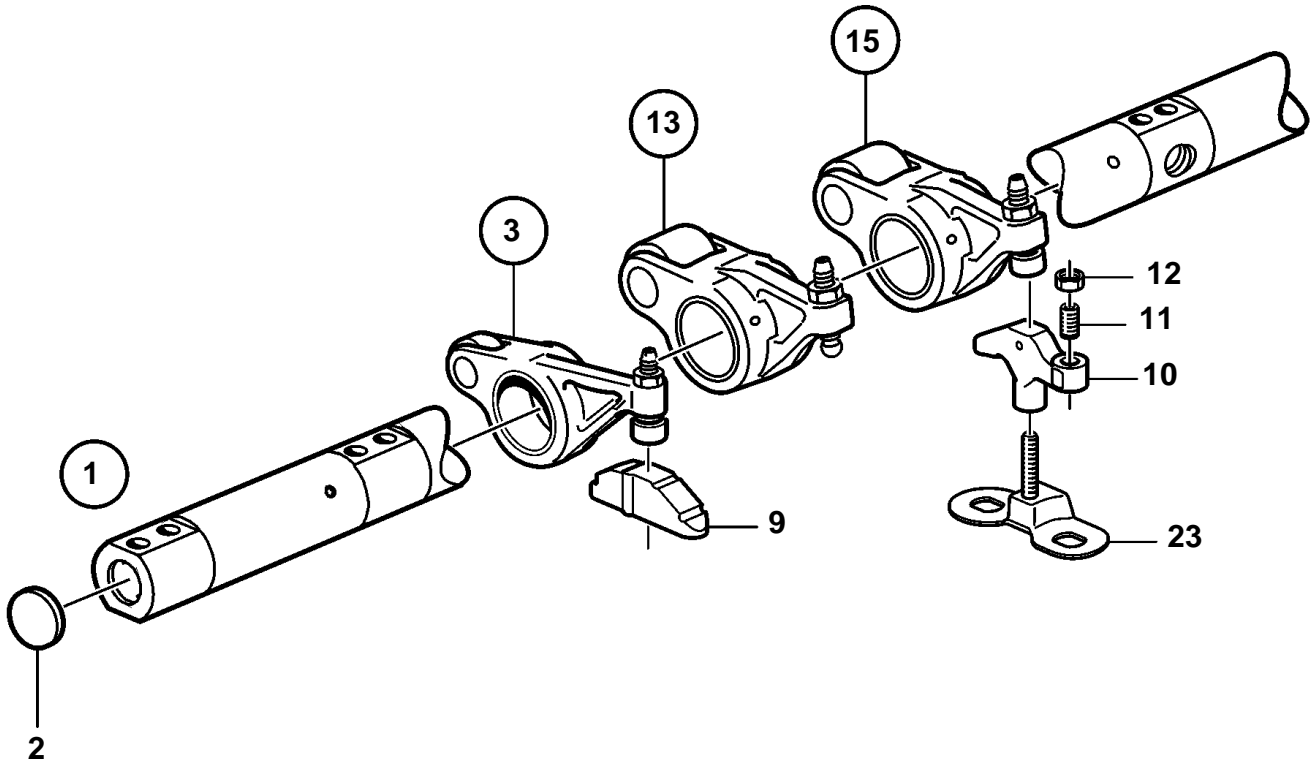


D16C-A MG, D16C-A MG RC



23129

D16C-A MG, D16C-A MG RC

REF	PART NO.	QTY	DESCRIPTION	NOTES
1	24426580	1	Rocker arm shaft	
2	955096	2	· Expansion plug	
3	20887766	6	Rocker arm	
4	946911	1	· Hexagon nut	
5		1	· Adjusting screw	
6	20441753	1	· Ball socket	
7	944364	1	· · O-ring	
8		1	· · Ball seat	
9	20463791	6	Valve yoke, intake	
10	20857578	6	Valve yoke, exhaust	
11	20551362	6	· Adjusting screw	
12	946911	6	· Hexagon nut	
13	20888119	6	Rocker arm	
14	1677396	1	· Hexagon nut	
15		1	· Adjusting screw	
16	3964817	1	· Jet	
17	20888089	6	Rocker arm	Replaced by 21161745
	21161745	6	Rocker arm	
18	946911	1	· Hexagon nut	
19		1	· Adjusting screw	
20	20441753	1	· Ball socket	
21	944364	1	· · O-ring	
22		1	· · Ball seat	
23	20554268	6	Guide pin	