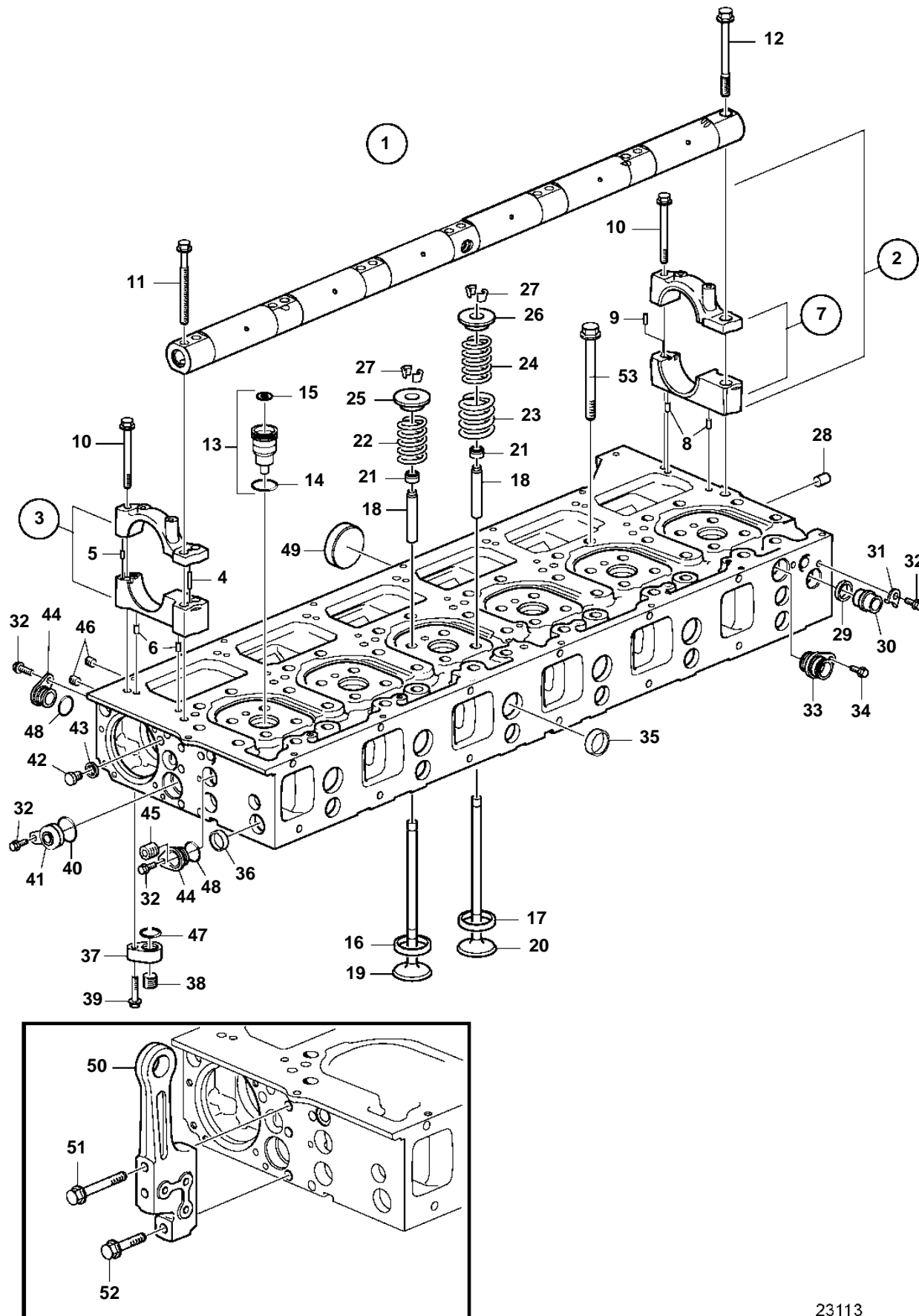


D16C-A MG, D16C-A MG RC



23113

D16C-A MG, D16C-A MG RC

REF	PART NO.	QTY	DESCRIPTION	NOTES
1	3801394	1	Cylinder head, exch	(3801139)
2	3184068	1	· Bearing housing	When replacing one or more bearing houses the first time, all of the bearing houses must be replaced. Then each bearing house can be replaced separat
3	20946882	6	· Bearing housing	When replacing one or more bearing houses the first time, all of the bearing houses must be replaced. Then each bearing house can be replaced separat
4	950550	6	· · Pin	When replacing one or more bearing houses the first time, all of the bearing houses must be replaced. Then each bearing house can be replaced separat
5	950542	6	· · Pin	When replacing one or more bearing houses the first time, all of the bearing houses must be replaced. Then each bearing house can be replaced separat
6	950562	12	· · Pin	
7	20946876	1	· Bearing housing	
8	950562	2	· · Pin	
9	950542	1	· · Pin	
10	975105	7	· Flange screw	
11	20533693	12	· Screw	
12	20412482	1	· Flange screw	
13	21098621	6	· Injector sleeve	(85104134)
14	20536487	1	· · O-ring	
15	21261987	1	· · Washer	
16	20709467	12	· Valve seat	INLET
17	20564028	12	· Valve seat	EXHAUST
18	20916916	24	· Valve guide	Replaced by 21067953
	21067953	24	· Valve guide	
19	20739057	12	· Inlet valve	INLET
20	20513285	12	· Exhaust valve	EXHAUST
21	20924435	24	· Valve stem seal	(20787121)
22	21326667	12	· Valve spring	INLET
23	21448332	12	· Valve spring	EXHAUST
24	21324296	12	· Valve spring	EXHAUST
25	20551394	12	· Valve spring washer	INLET
26	20551396	12	· Valve spring washer	EXHAUST
27	8170995	48	· Valve collet	
28	968062	1	· Plug	
29	1547252	2	· Sealing ring	
30	20845995	1	· Plug	
31	1546531	1	· Lock brace	
32	947107	4	· Flange screw	
33	20429993	1	· Pass-through	
34	946440	1	· Flange screw	
35	24426722	6	· Cap plug	
36	24426721	14	· Cap plug	
37	3819529	1	· Adapter	
38	968146	1	· Plug	
39	946671	1	· Flange screw	
40	975667	1	· O-ring	
41	3812456	1	· Adapter	For cylinder head 3801139
	21160741	1	· Adapter	For cylinder head 3801394
42	960628	1	· Plug	
43	947281	1	· Gasket	
44	3887007	2	· Adapter	
45	968063	1	· Plug	
46	968061	2	· Plug	
47	949657	1	· O-ring	
48	1547252	2	Sealing ring	
49	24426723	3	Cap plug	
50		1	Lifting eye	
51		2	Flange screw	
52		1	Flange screw	
53	1547040	38	Screw	