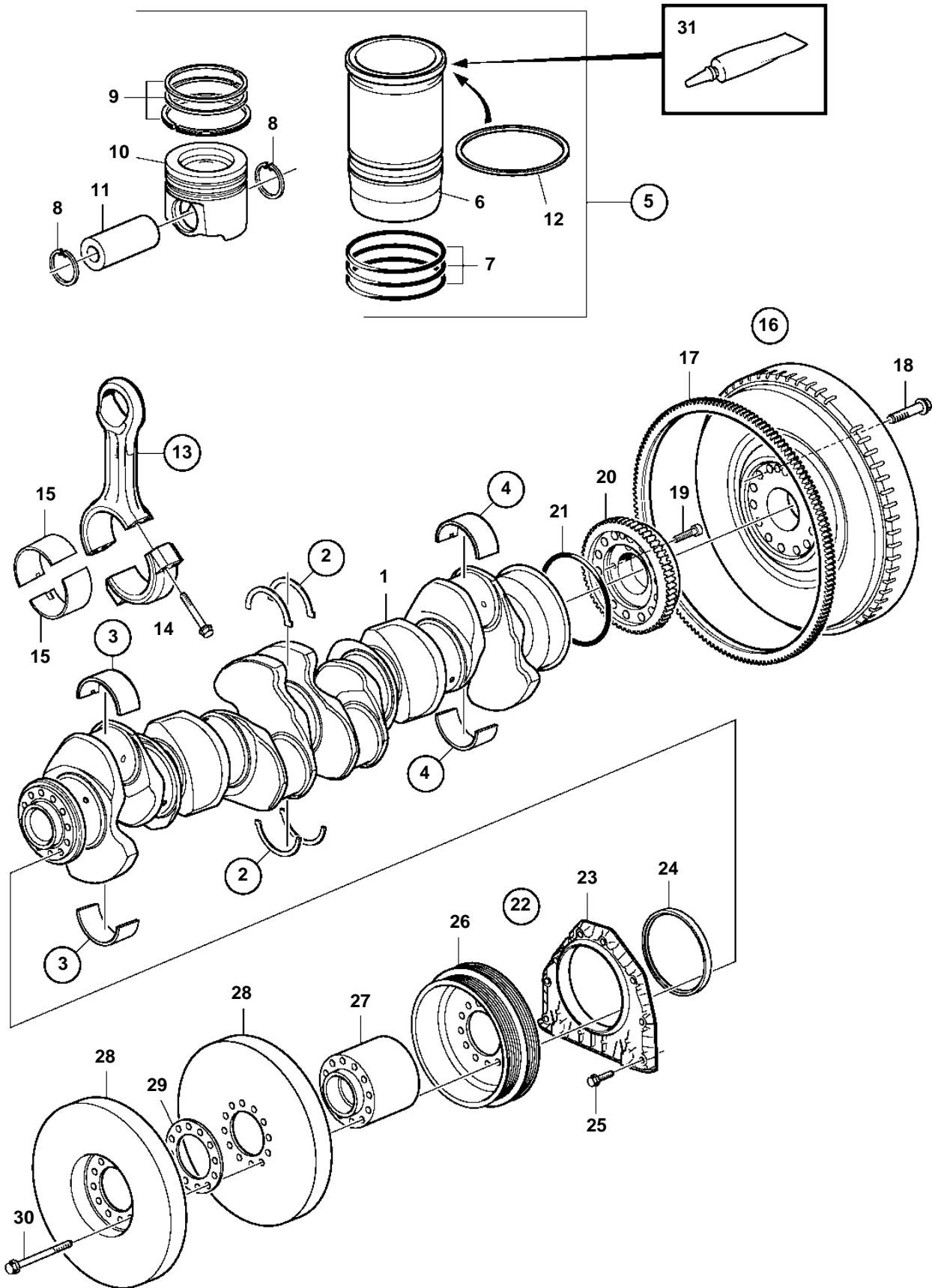


D16C-A MG, D16C-A MG RC



D16C-A MG, D16C-A MG RC

REF	PART NO.	QTY	DESCRIPTION	SEE SEC.	NOTES
1	20758947	1	Crankshaft		
2	270929	1	Thrust washer		Std
	270930	1	Thrust washer		O.S=0,10mm
	270931	1	Thrust washer kit		O.S=0,20mm
	270932	1	Thrust washer kit		O.S=0,30mm
3	20578851	6	Main bearing shell		SN002477-, Std
	20700881	6	Main bearing shell		SN002477-, O.S=0,25mm
	20700882	6	Main bearing shell		SN002477-, O.S=0,50mm
	20700886	6	Main bearing shell		SN002477-, O.S=1,00mm
4	20578853	1	Main bearing shell		SN002477- Bearing no 7., Std
	20700890	1	Main bearing shell		SN002477- Bearing no 7., O.S=0,25mm
	20700891	1	Main bearing shell		SN002477- Bearing no 7., O.S=0,50mm
	20700893	1	Main bearing shell		SN002477- Bearing no 7., O.S=1,00mm
5	3886754	6	Cylinder liner kit		
6		6	· Cylinder liner		
7	20520607	6	· Sealing ring kit		
8	945483	12	· Snap ring		
9	3886753	6	· Piston ring kit		
10		6	· Piston		
11	8131232	6	· Piston pin		
12	20523555	X	Shim		TH = 0,2mm
	20523556	X	Shim		TH = 0,3mm
	20523557	X	Shim		TH=0,5mm
13	20898603	6	Connecting rod		Bushing included in connecting rod.
14	8131198	24	· Screw		
15	20586602	6	Big-end bearing kit		Std
	20586603	6	Big-end bearing kit		O.S=0,25mm
	20586604	6	Big-end bearing kit		O.S=0,50mm
		6	Big-end bearing kit		O.S=0,75mm
	20586606	6	Big-end bearing kit		O.S=1,00mm
		6	Big-end bearing kit		O.S=1,25mm
16			Flywheel	9858	
17	20711957	1	· Ring gear		
18	3155075	12	Screw		
19	21344746	2	Screw		
20	20801971	1	Gear		Pin included in gear
21	85108352	1	Sealing ring		
22	20777233	1	Cover		
23		1	· Lock		
24	85108423	1	· Crankshaft seal		
25	946671	8	Flange screw		
26			Pulley	9994	
27	3838498	1	Adapter		
28	3889367	2	Vibration damper		
29	3838497	1	Spacer		
30	978447	12	Flange screw		
31	1161277	X	Sealant		