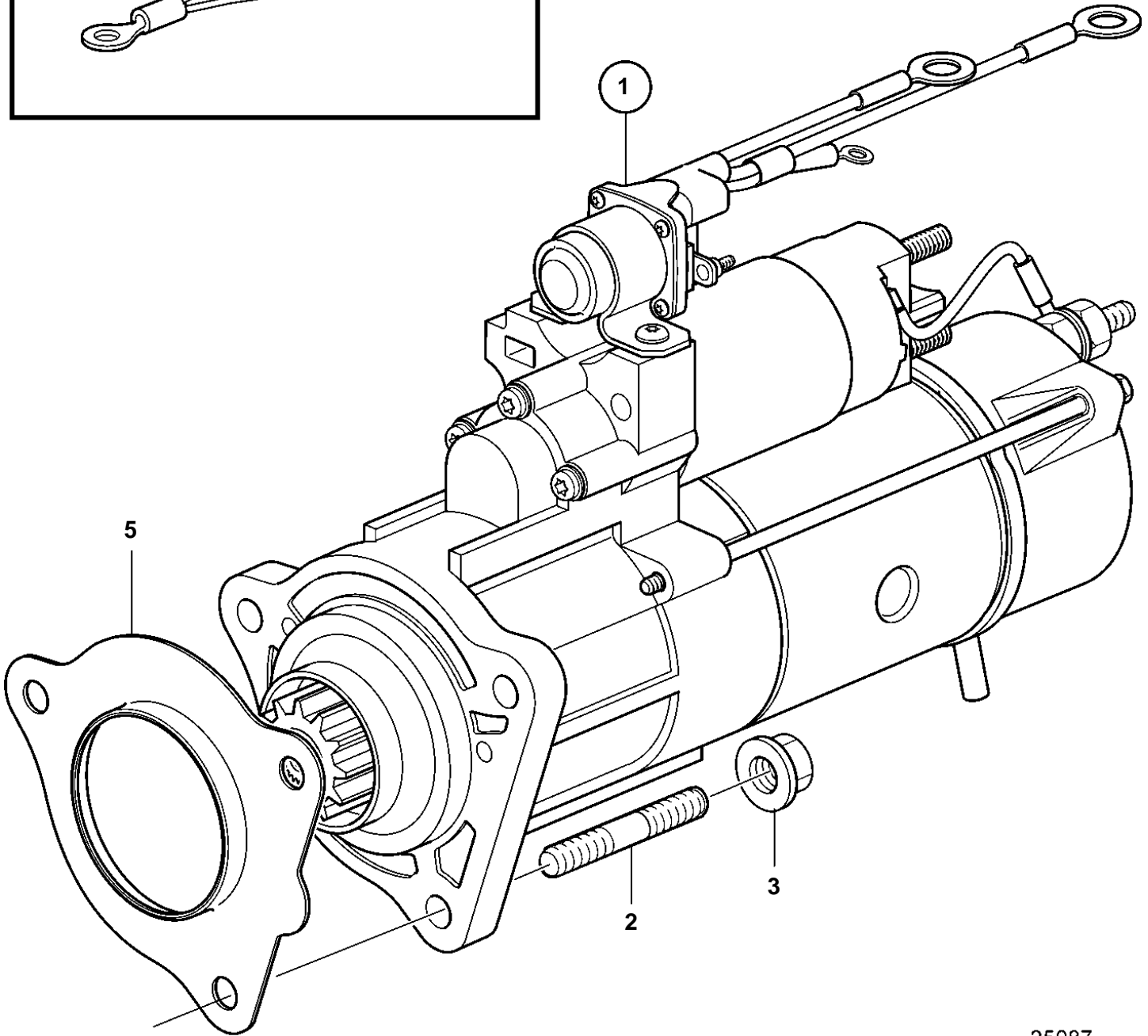
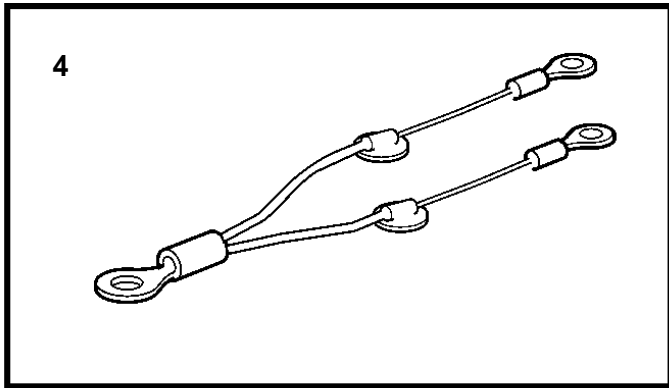


D16C-A MG, D16C-A MG RC



25087

D16C-A MG, D16C-A MG RC

REF	PART NO.	QTY	DESCRIPTION	SEE SEC.	NOTES
1	3803838	1	Starter motor, exch		Replaced by starter motor 3801289
	3801289	1	Starter motor, exch		
				7746	
2	953098	3	Stud		
3	971096	3	Flange nut		
4	3843262	1	Wiring harness		
5	3888763	1	Gasket		