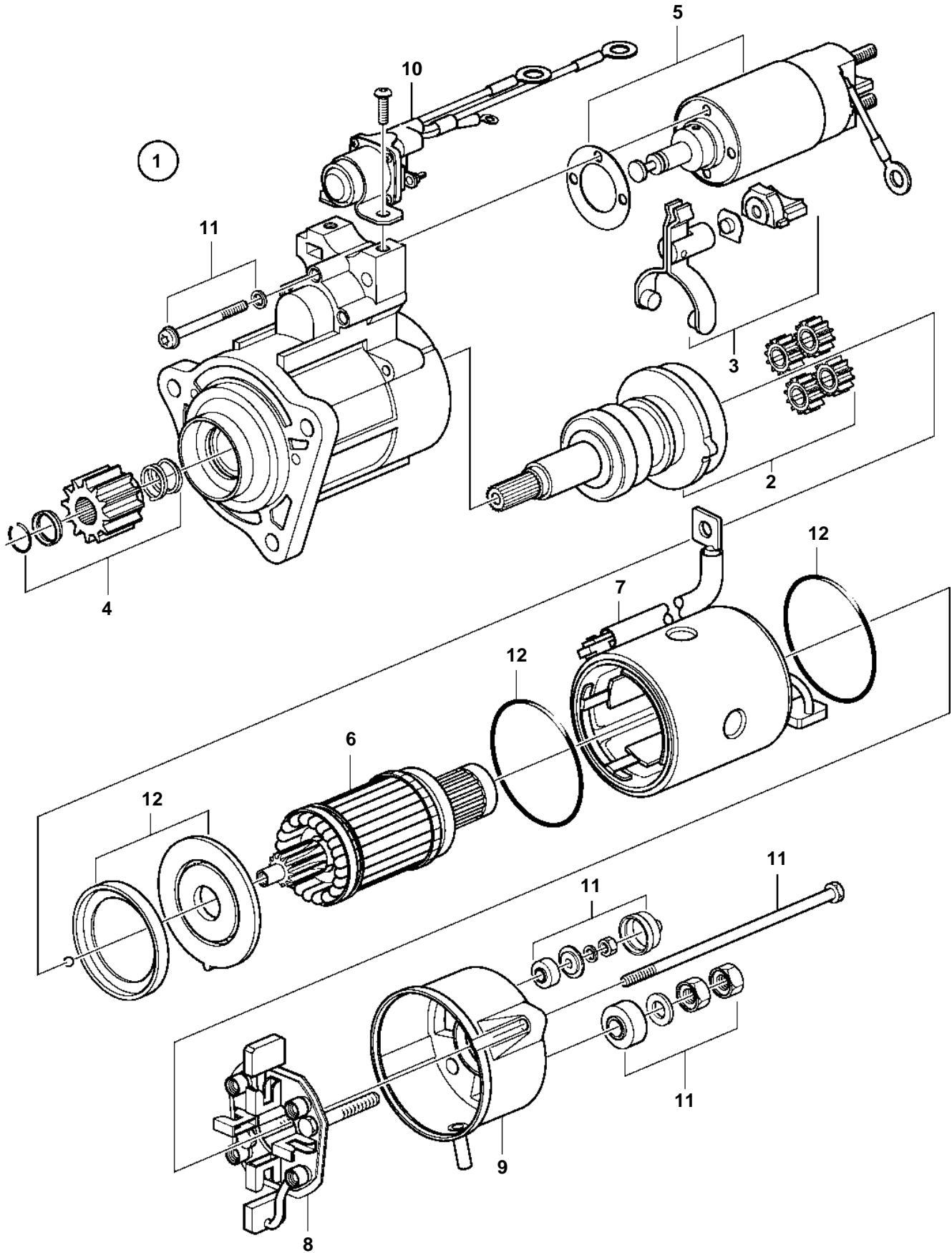


D16C-A MG, D16C-A MG RC



D16C-A MG, D16C-A MG RC

REF	PART NO.	QTY	DESCRIPTION	NOTES
1	3803838	1	Starter motor, exch	Replaced by starter motor 3801289
	3801289	1	Starter motor, exch	
2		1	· Shaft	
3		1	· Lever	
4	874738	1	· Starter pinion	
5	874745	1	· Solenoid	
6		1	· Rotor	
7		1	· Stator	
8	874741	1	· Carbon brush retaine	
9		1	· Bearing shield	
10	874743	1	· Relay	
11	874747	1	· Screw kit	
12	874746	1	· Gasket kit	