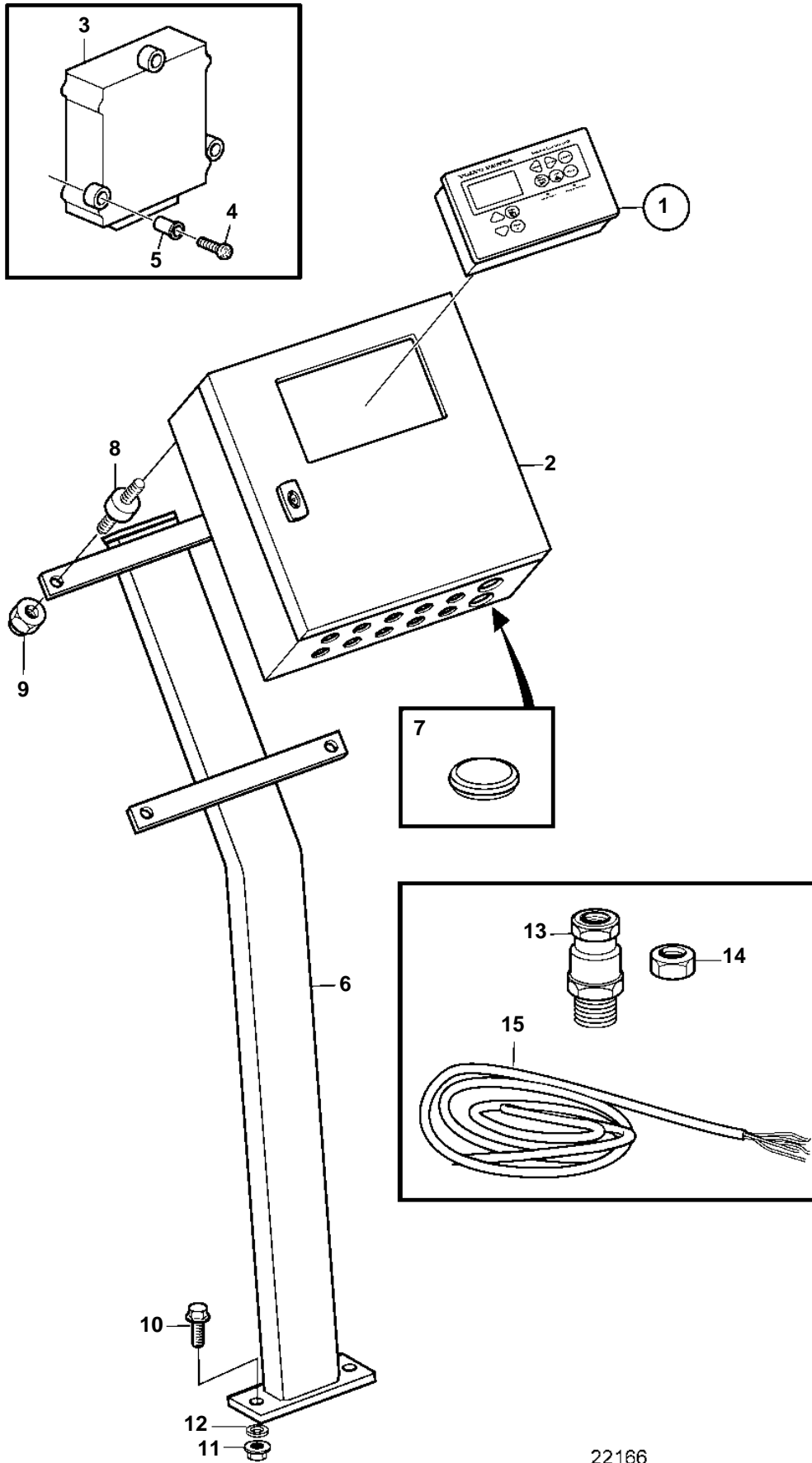


D16C-A MG



D16C-A MG

REF	PART NO.	QTY	DESCRIPTION	SEE SEC.	NOTES
1		1	Electronic unit	21390	
2		1	Box	21390	
3	3888244	1	Electronic unit		(3884603)
4	965176	3	Flange screw		
5	930760	3	Expanding nut		
6	3883975	1	Bracket		
7	941268	X	Plug		D=20mm
	943920	X	Plug		D=1.10"(28mm)
	662620	X	Rubber button		D=28mm
8	863415	4	Rubber cushion		
9	945408	4	Flange nut		
10	965193	2	Flange screw		
11	971096	2	Flange nut		
12		2	U-member washer		
13	881193	1	Cable union		
14	880755	1	Nut		
15	970624	1	Electric cable		L=300mm