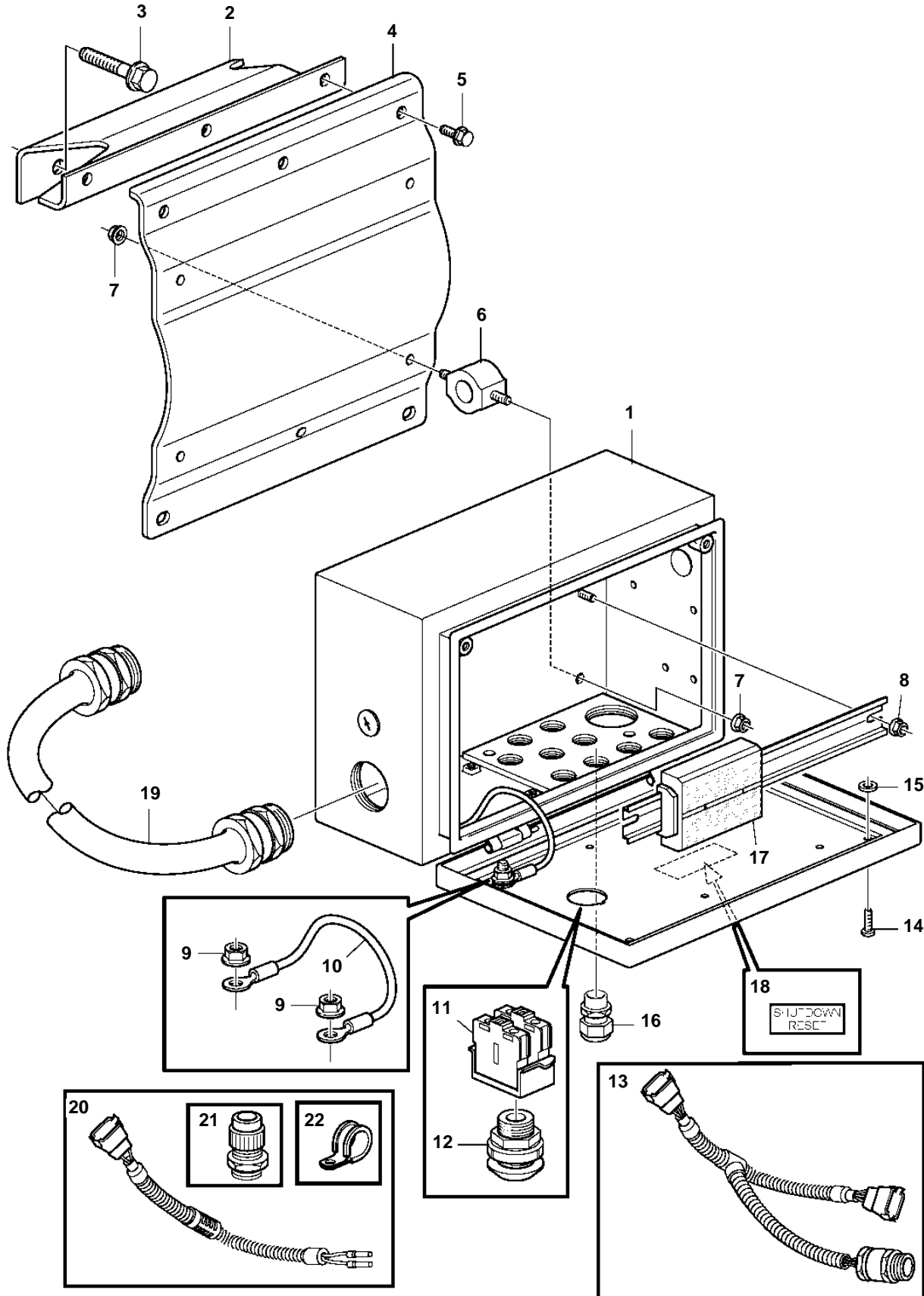


D16C-A MG



D16C-A MG

REF	PART NO.	QTY	DESCRIPTION	NOTES
1	3841323	1	Electrical distribut	
2	3840193	1	Bracket	
3	948039	2	Flange screw	
4	3884400	1	Bracket	
5	946173	5	Flange screw	
6	3839156	4	Rubber cushion	
7	945407	8	Flange nut	
8	965483	2	Flange nut	
9	945408	2	Flange nut	
10	970624	1	Electric cable	
11	3817574	1	Contact unit	
12	3817578		Push button	
13	881630	1	Cable kit	
14			Screw	M6x22
15			Washer	Washer with rubber gasket.
16	3883134	7	Cable union	
17	21256571	1	Terminal block	
18	3586456	1	Label	
19	3818484	1	Wiring harness	
20	21221977	1	Wiring harness	Backup Power
21	3847827	1	Cable union	
22	949747	1	Clamp	