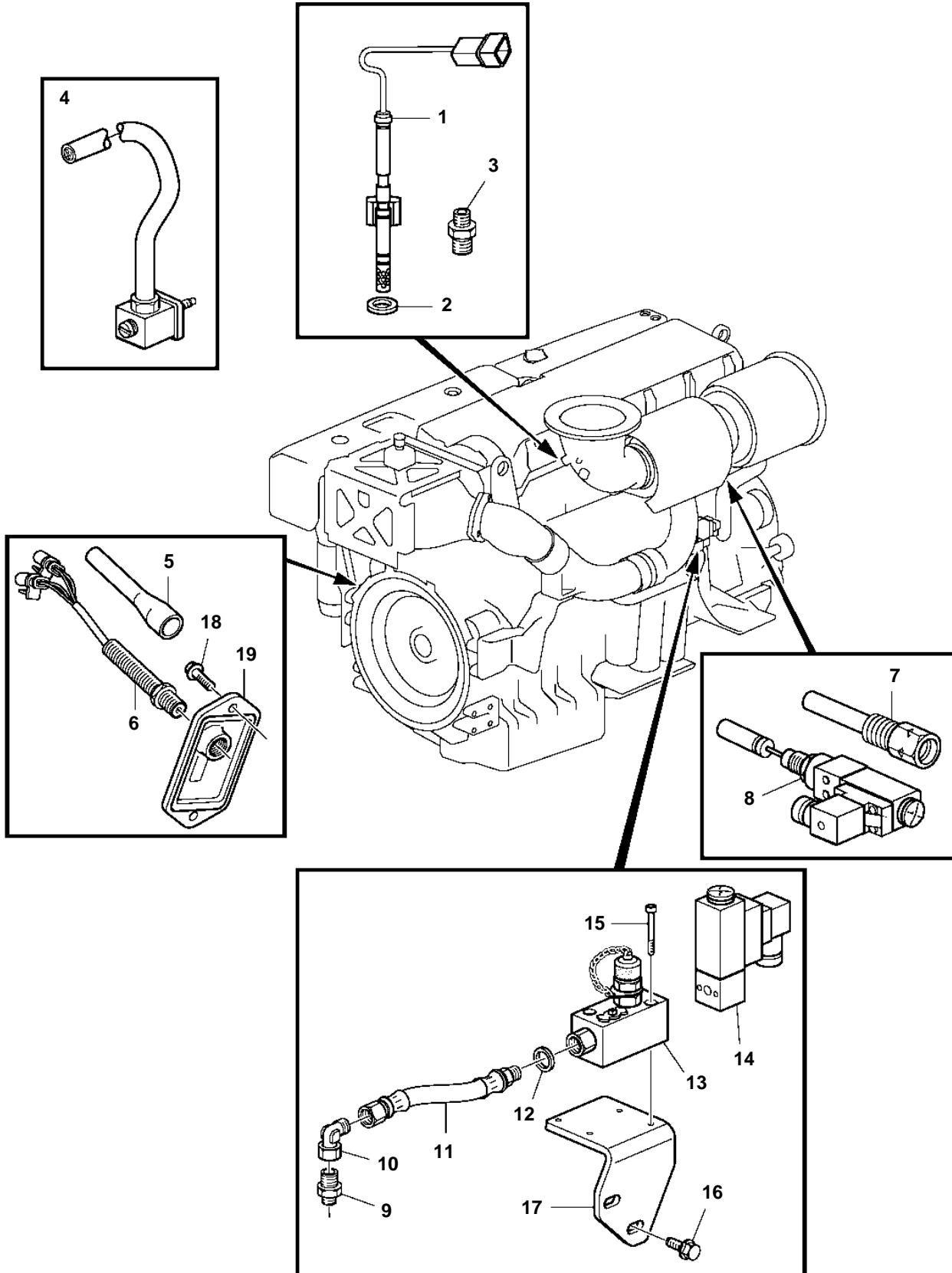


D16C-A MG, D16C-A MG RC



D16C-A MG, D16C-A MG RC

REF	PART NO.	QTY	DESCRIPTION
1	874330	1	Temperature sensor, exhaust temp
2	947626	1	Gasket
3	874318	1	Fitting
4	3588563	1	Wiring harness
5	3819906	1	End sleeve
6	3589140	1	Tachometer sensor
7	873715	1	Sleeve
8	881869	1	Thermo monitor, coolant water
9	991057	1	Nipple
10		1	Elbow nipple
11	3588966	1	Oil hose
12	11998	1	Gasket
13	3831442	2	Block
14	881871	2	Pressure monitor
15	947671	2	Hex. socket screw
16	946440	2	Flange screw
17		1	Bracket
18	946934	2	Flange screw
19	4772168	1	Cover