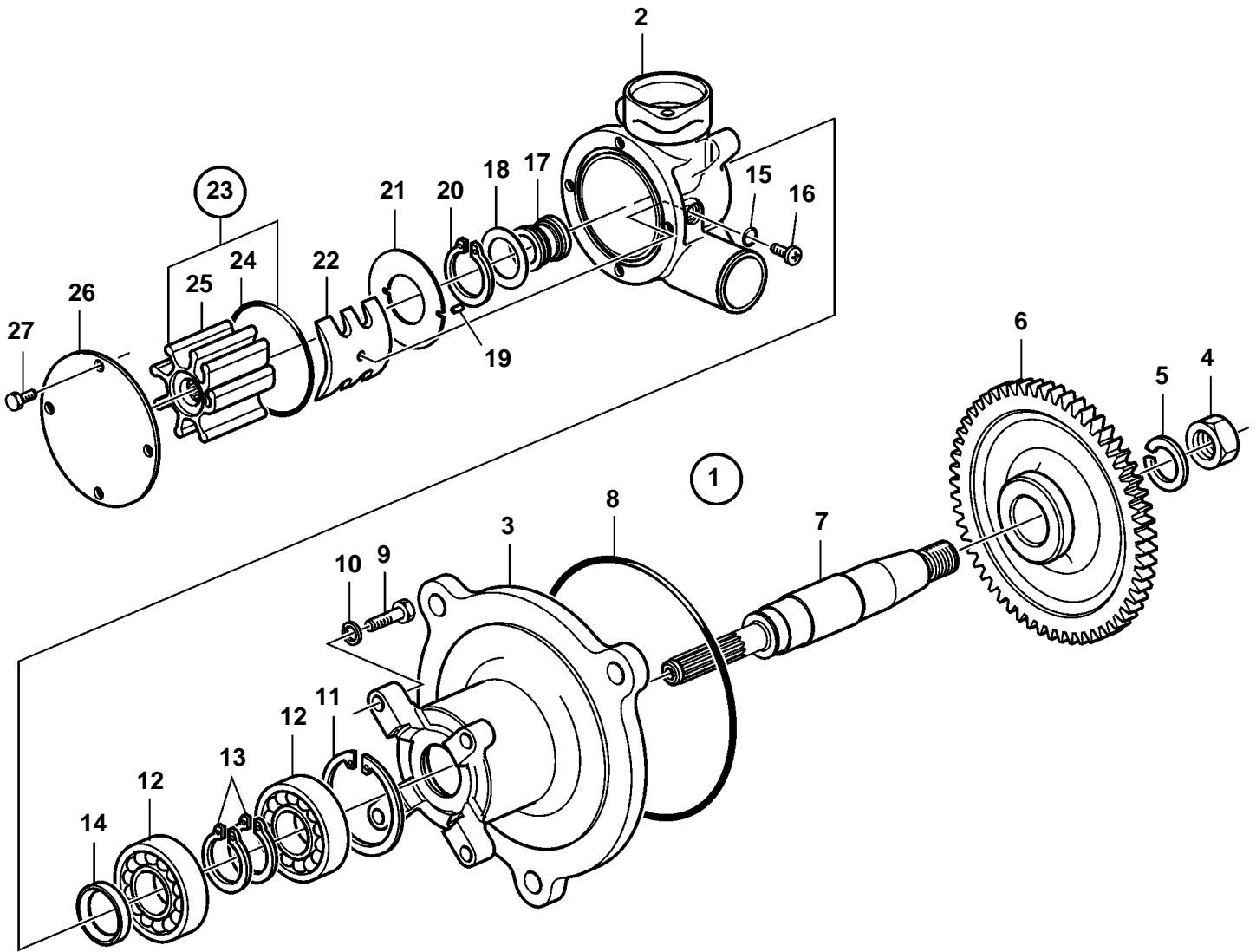


D16C-A MG



23230

D16C-A MG

REF	PART NO.	QTY	DESCRIPTION	NOTES
1	3589550	1	Water pump	Replaced by 21167147
	21167147	1	Water pump	
2		1	· Pump housing	
3		1	· Bearing housing	
4	3587886	1	· Hexagon nut	
5		1	· Spring washer	
6	8131848	1	· Gear	
7		1	· Shaft	
8	948977	1	· O-ring	
9	940135	4	· Hexagon screw	
10	941907	4	· Spring washer	
11	825735	1	· Lock ring	
12	11013	2	· Ball bearing	
13	847230	2	· Lock ring	
14	3587882	1	· Sealing	
15	3583614	1	· O-ring	
16	3883927	1	· Screw	
17	3883926	1	· Sealing	
18	888388	1	· Washer	
19	888387	1	· Pin	
20	809444	1	· Lock ring	
21	807589	1	· Wear washer	
22	3883923	1	· Cam	
23	3888478	1	· Impeller kit	Replaced by 21200961
	21200961	1	· Impeller kit	
24	3587885	1	· · O-ring	
25		1	· · Impeller	
26	3587879	1	· End cover	
27	3583604	4	· Hexagon screw	