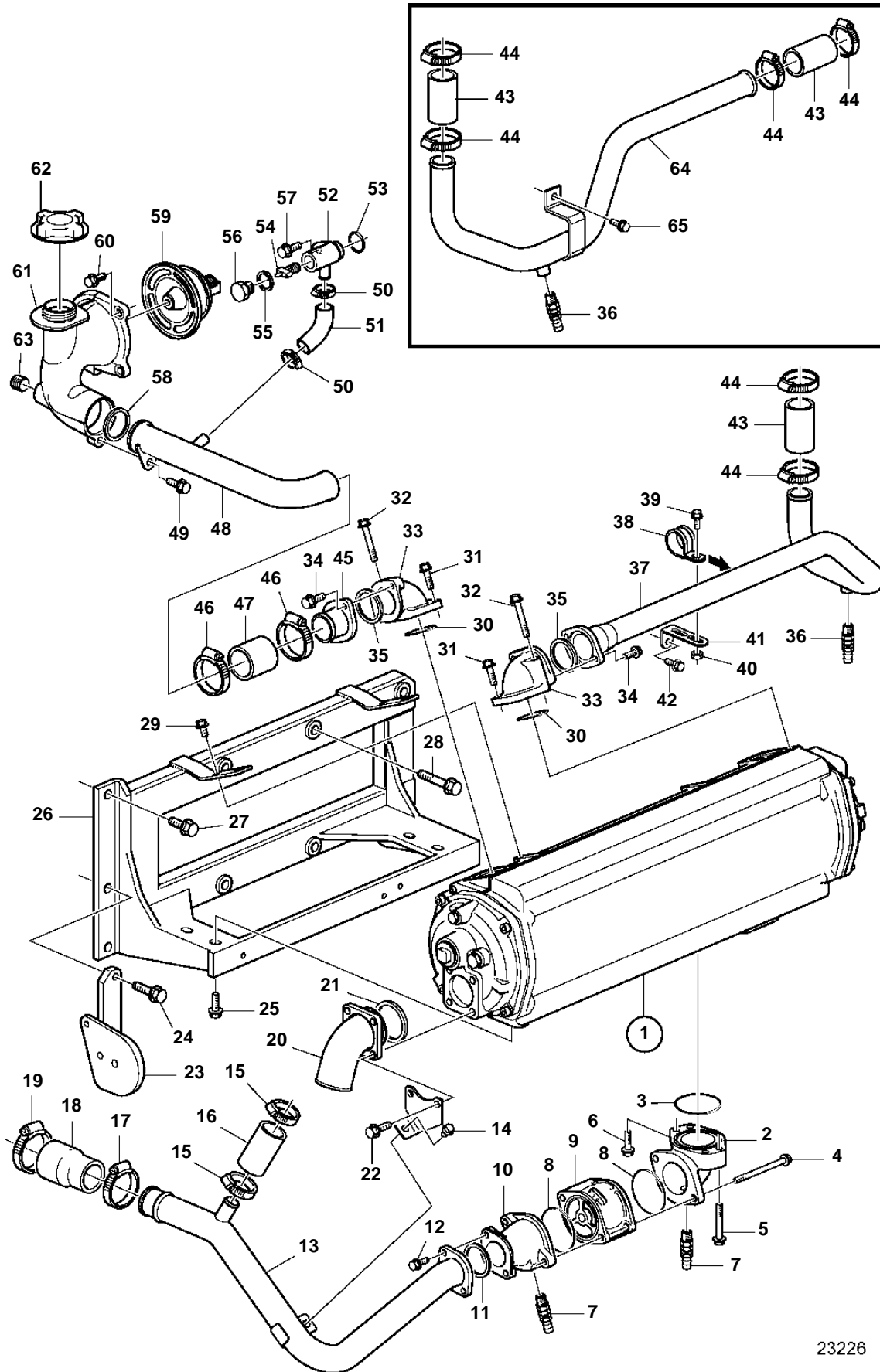


D16C-A MG



23226

## D16C-A MG

REF	PART NO.	QTY	DESCRIPTION	SEE SEC.
1	3819408	1	Heat exchanger	
				9910
2	3818808	1	Pipe connection	
3	975675	1	O-ring	
4	965183	2	Flange screw	
5	946671	1	Flange screw	
6	947760	1	Flange screw	
7	949918	2	Shut-off cock	
8	925255	2	O-ring	
9	3812314	1	Overflow valve	
10	3809589	1	Adapter	
11	864491	1	Gasket	
12	946173	2	Flange screw	
13	3807111	1	Water pipe	
14	947107	1	Flange screw	
15	853548	2	Hose clamp	
16	969033	1	Rubber hose	
17	961671		Hose clamp	
18	3837438	1	Collar	
19	961672	1	Hose clamp	
20	3830255	1	Riser	
21	843584	1	Gasket	
22	945444	4	Flange screw	
23	3589160	1	Bracket	
24	965225	2	Flange screw	
25	946329	4	Flange screw	
26	3818684	1	Bracket	
27	946817	1	Flange screw	
28	965194	6	Flange screw	
29	946440	4	Flange screw	
30	925069	2	O-ring	
31	945444	2	Flange screw	
32	965180	2	Flange screw	
33	865821	2	Pipe connection	
34	946440	4	Flange screw	
35	864491	2	Gasket	
36	949918	2	Shut-off cock	
37	3841237	1	Water pipe	
38	952640	1	Clamp	
39	946440	1	Flange screw	
40	945407	1	Flange nut	
41	965558	1	Bracket	
42	948217	2	Flange screw	
43	3808196	3	Hose	
44	961669	6	Hose clamp	
45	3837473	1	Coolant pipe	
46	961671	2	Hose clamp	
47	858471	1	Hose	
48	3589049	1	Water pipe	
49	946440	1	Flange screw	
50	961665	2	Hose clamp	
51	3885219	1	Hose	
52	3841640	1	Valve	
53	1547252	1	· Sealing ring	
54	3809467	1	· Valve	
55	947625	1	· Gasket	
56		1	· Plug	
57	946440	1	Flange screw	
58	1547253	1	Sealing ring	
59	20560252	1	Thermostat	
60	946173	4	Flange screw	
61	3843110	1	Cover	

