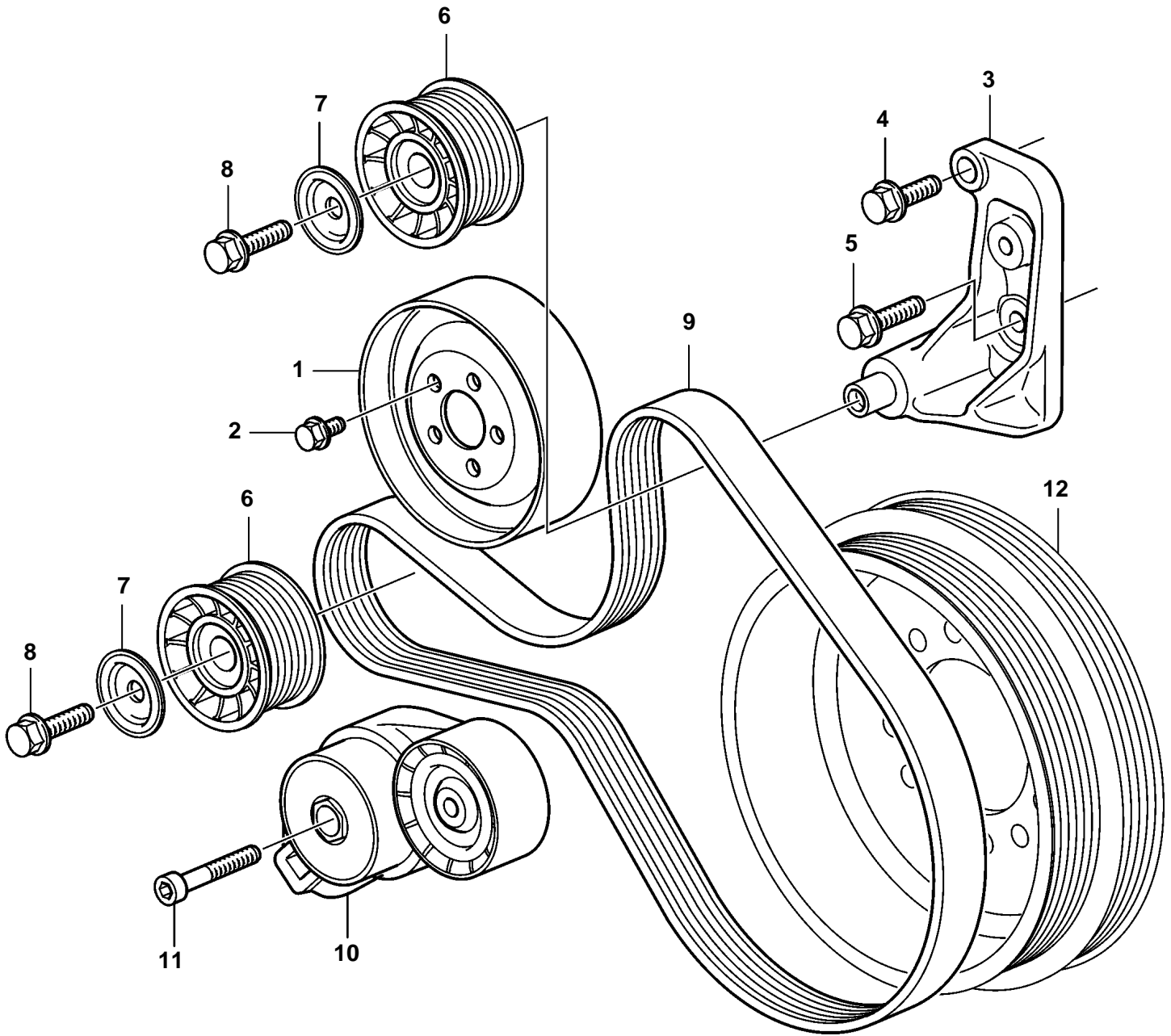


D16C-A MG



23315

**D16C-A MG**

REF	PART NO.	QTY	DESCRIPTION
1	20538853	1	Pulley
2	947107	5	Flange screw
3	3812765	1	Bracket
4	946472	1	Flange screw
5	946441	1	Flange screw
6	20851842	2	Idler pulley
7	8097084	2	Cover
8	946441	2	Flange screw
9	3884488	1	V-ribbed belt
10	20487079	1	Belt tensioner
11	959247	1	Hex. socket screw
12	3837486	1	Pulley, crankshaft