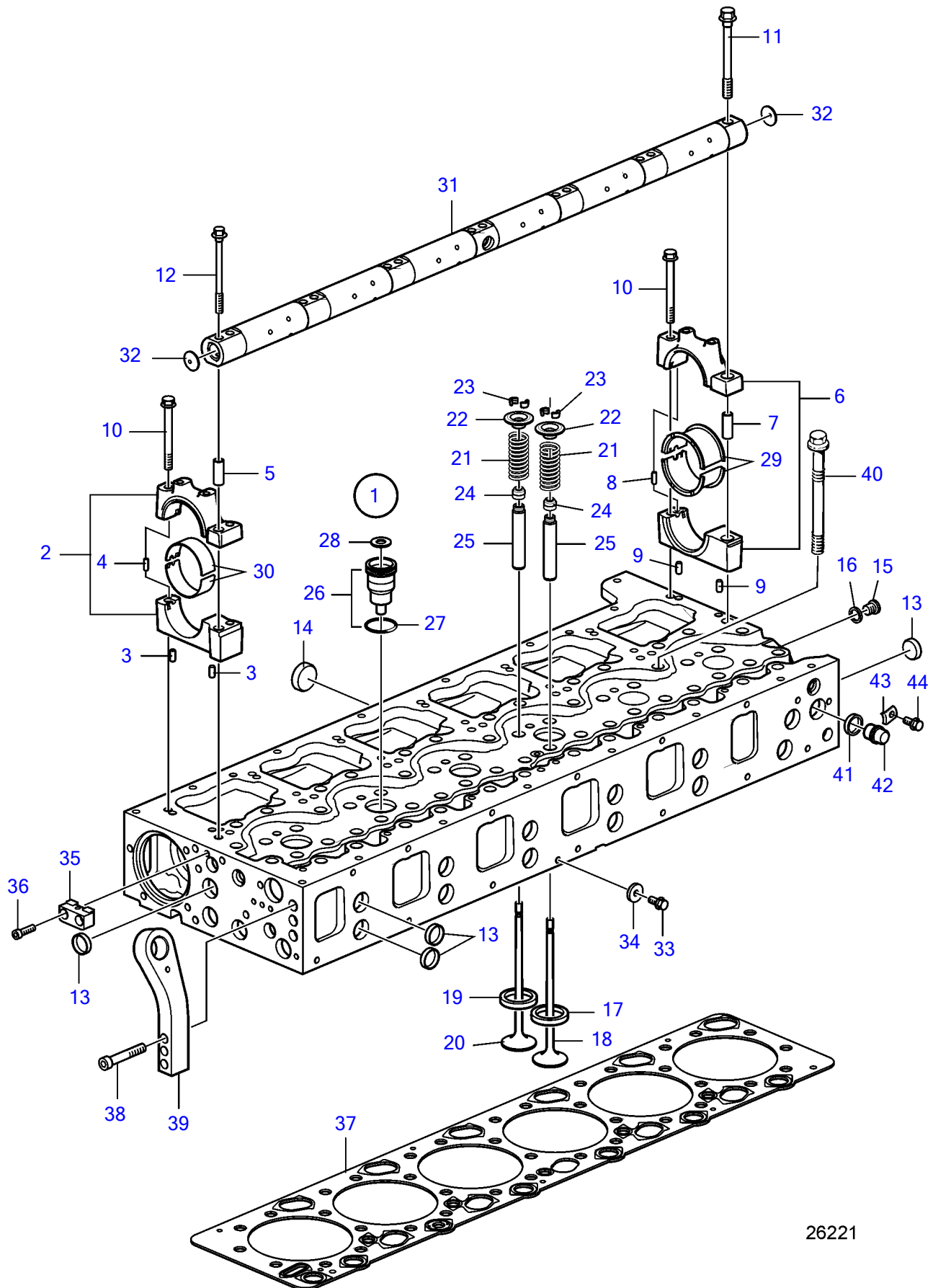


D13B-A MP, D13B-B MP, D13B-C MP, D13B-D MP, D13B-G MP, D13B-H MP



26221

## D13B-A MP, D13B-B MP, D13B-C MP, D13B-D MP, D13B-G MP, D13B-H MP

REF	PART NO.	QTY	DESCRIPTION	NOTES
1	3801375	1	Cylinder head	
2		6	• Bearing housing, front	Bearing housing 1-6
3	950562	2	• • Pin	
4	950542	1	• • Pin	
5		1	• • Pivot pin	
6		1	• Bearing housing, rear	
7		1	• • Pivot pin	
8	950542	1	• • Pin	
9	950562	2	• • Pin	
10	975105	7	• Flange screw	M10x100mm
11	20412482	1	• Flange screw	M14x100mm
12	20537512	12	• Flange screw	M10x120mm
13	24426721	20	• Expansion plug	D=20mm
14	24426722	5	• Expansion plug	D=40mm
15	966143	1	• Plug	
16	11996	1	• Gasket	
17	20530103	12	• Valve seat, exhaust	Replaced by valve seat 20541405
	20541405	12	• Valve seat	
18	20768519	12	• Exhaust valve	
19	20740804	12	• Valve seat, intake	
20	20740798	12	• Inlet valve	
21	21310068	24	• Valve spring	
22	20510743	24	• Valve spring washer	
23	20510747	48	• Valve cotter	
24	20864662	12	• Valve seal	
25	20904074	24	• Valve guide	
26	21274700	6	• Injector sleeve	
27	20536487	1	• • O-ring	
28	21261987	1	• • Washer	
29	20756108	1	Camshaft bearing kit	
30	20999623	6	Camshaft bearing kit	
31	20510623	1	Rocker arm shaft	
32	955096	2	• Expansion plug	
33	944926	1	Flange screw	
34	945583	1	Washer	
35		1	Bracket	
36	959220	2	Hex. socket screw	
37	20513037	1	Cylinder head gasket	
38		3	Hex. socket screw	
39		1	Lifting eye	
40	21345131	38	Screw	
41	1547252	1	Sealing ring	
42	20845995	1	Plug	
43	1546531	1	Lock brace	
44	984732	1	Flange screw	

7749490-21-35640

26221

Upd:2012-02-08