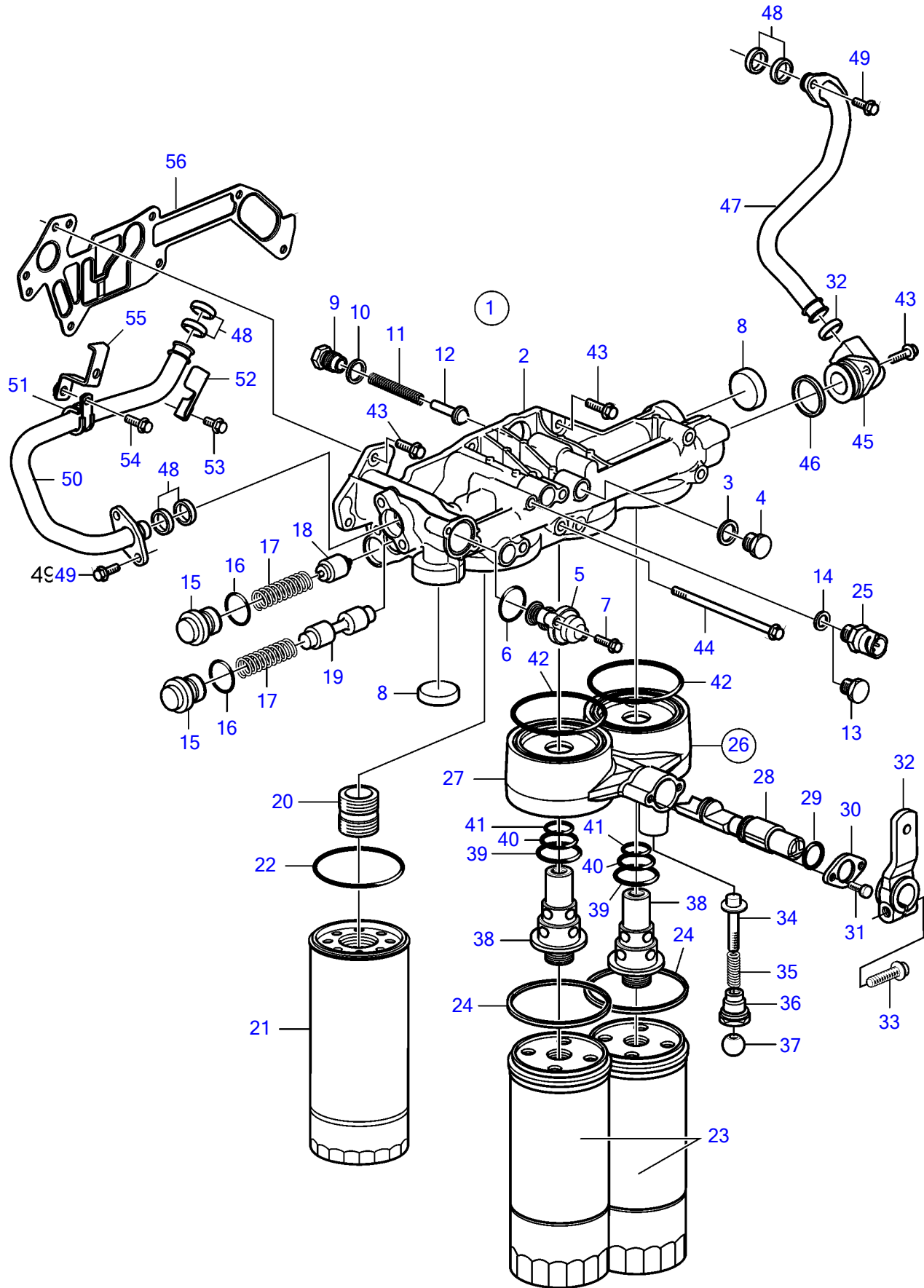


D13B-F MG



## D13B-F MG

REF	PART NO.	QTY	DESCRIPTION	NOTES
1	21505066	1	Oil filter housing	
2		1	• Oil filter housing	
3	11998	1	• Gasket	
4	960632	1	• Plug	
5	20903074	1	• Thermostat	
6	949659	1	• O-ring	
7	947542	2	• Flange screw	
8	20478143	2	• Cap plug	
9	471598	1	• Plug	
10	947627	1	• Gasket	
11	466653	1	• Compression spring	
12	471085	1	• Valve cone	
13	960628	1	• Plug	
14	947281	1	• Gasket	
15	20580032	2	• Plug	
16	977004	2	• O-ring	
17	20464676	2	• Spring	
18	20440779	1	• Valve cone	
19	20440781	1	• Piston	
20	20542058	1	• Nipple	
21	477556	1	Oil filter, by-pass	
22		1	• Gasket	
23	478736	2	Oil filter	
24		1	• Gasket	
25	21302639	1	Pressure sensor	
26	21576833	1	Valve housing	
27		1	• Valve housing	
28	(3889230)	1	• Shift valve	Obsolete part
29	949657	1	• O-ring	
30	842912	1	• Flange	
31	946544	2	• Flange screw	
32	964408	1	• Intermediate lever	
33	946752	1	• Flange screw	
34	3830181	1	• Dowel	
35	466653	1	• Compression spring	
36	3830176	1	• Sleeve	
37	(940344)	1	• Wing nut	Obsolete part
38	21346370	2	• Adapter	
39	969415	2	• O-ring	
40	948610	2	• O-ring	
41	20536487	2	• O-ring	
42	993235	2	X-ring	
43	945444	8	Flange screw	
44	968893	1	Flange screw	
45	20741000	1	Connector	
46	20555696	1	Sealing ring	
47	3875266	1	Oil return pipe	
48	471626	7	Sealing ring	
49	949853	4	Flange screw	
50	21627775	1	Pipe	
51	1545432	1	Attaching clamp	
52	21230284	1	Bracket	
53	965181	1	Flange screw	
54	946440	1	Flange screw	
55		1	Bracket	
56	20787167	1	Gasket	

47702500-22-37012

26068

Upd:2012-02-21

D13B-F MG

**VOLVO**  
**PENTA**