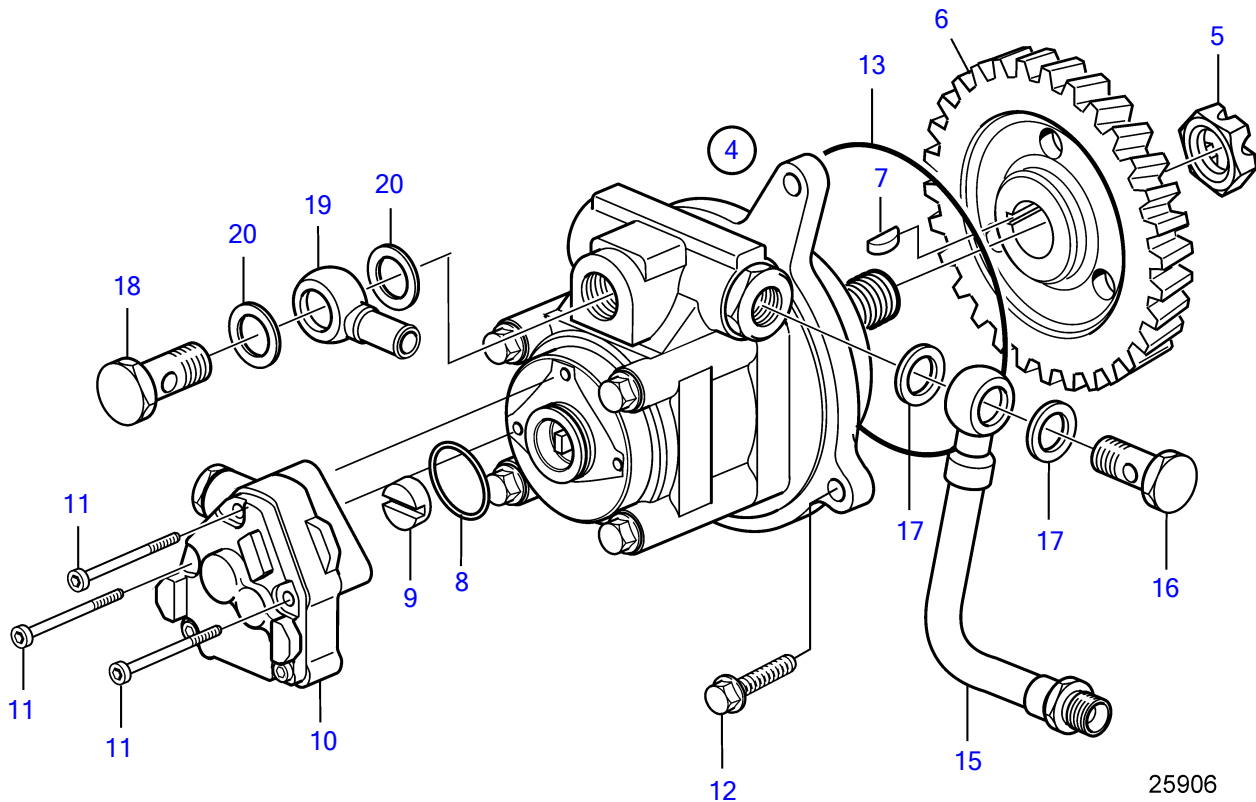
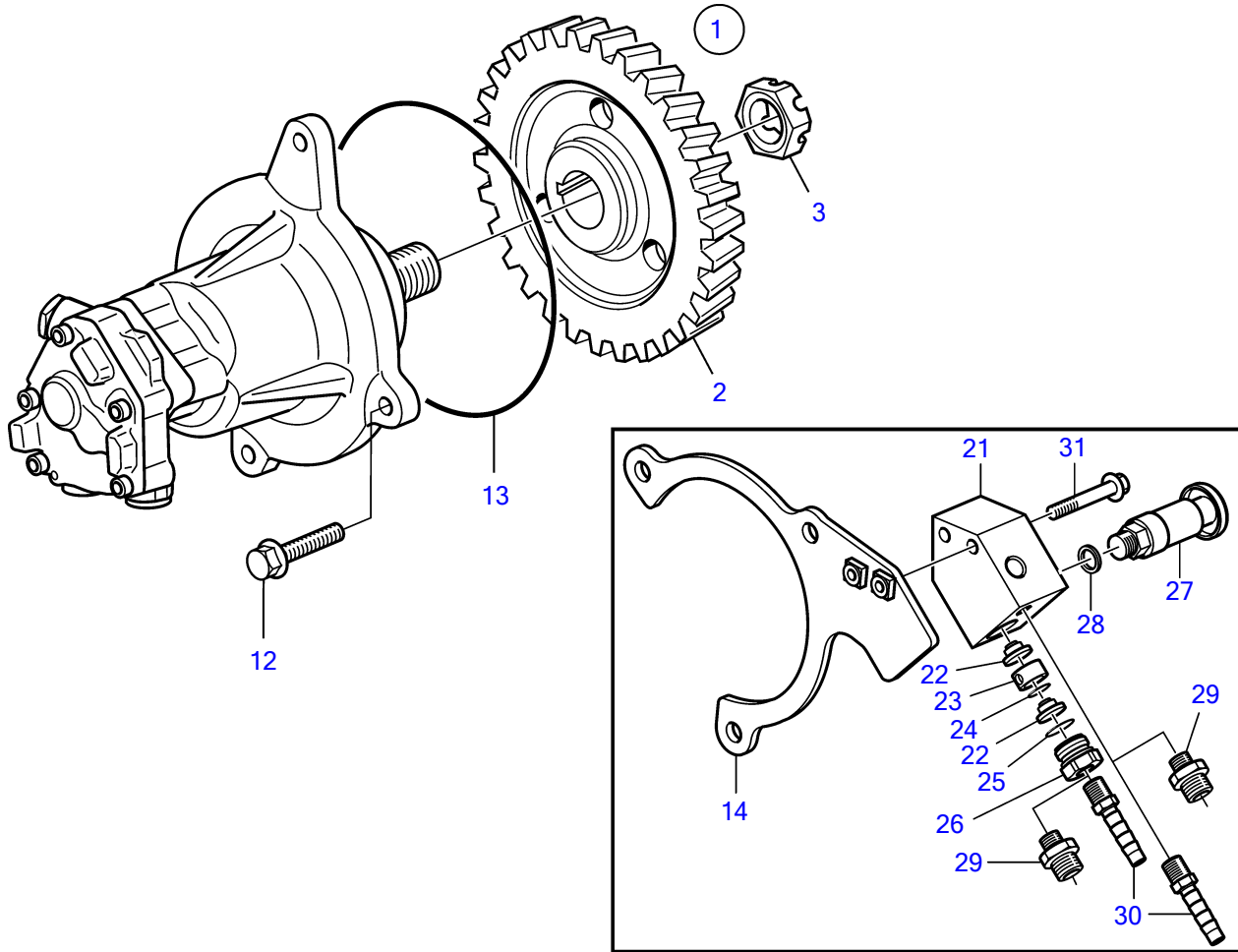


D13B-F MG



D13B-F MG

REF	PART NO.	QTY	DESCRIPTION	NOTES
1	21635801	1	Fuel pump	Without servo pump., Compl, (3594872)
2	8131292	1	• Gear	
3	20367040	1	• Castle nut	
4	20902698	1	Tandem pump	With servo pump., Compl, (20482482)
5	20367040	1	• Castle nut	
6	8131292	1	• Gear	
7	1505357	1	• Woodruff key	
8	85103703	1	• O-ring	
9	85103779	1	• Constant velocity jo	
10	20997341	1	• Fuel pump	(85103778)
11	85103780	3	• Hex. socket screw	
12	965216	1	Flange screw	L=55mm
	946671	2	Flange screw	L=30mm
13	977030	1	O-ring	
14	21559978	1	Bracket	For engine without heat exchanger
15	21406534	1	Servo pipe	
16	941686	1	Hollow screw	
17	982724	2	Gasket	
18	191620	1	Hollow screw	
19	1598185	1	Banjo nipple	
20	982508	2	Gasket	
21	3889704	1	Housing	
22	244834	2	• Valve	
23	8148331	1	• Spacer sleeve	
24	976971	1	• O-ring	
25	1526474	1	• O-ring	
26	21168724	1	• Nipple	
27	3837393	1	Hand pump	
28	947622	1	Gasket	
29	977677	2	Nipple	
30	3825000	2	Hose nipple	
31	965216	2	Flange screw	