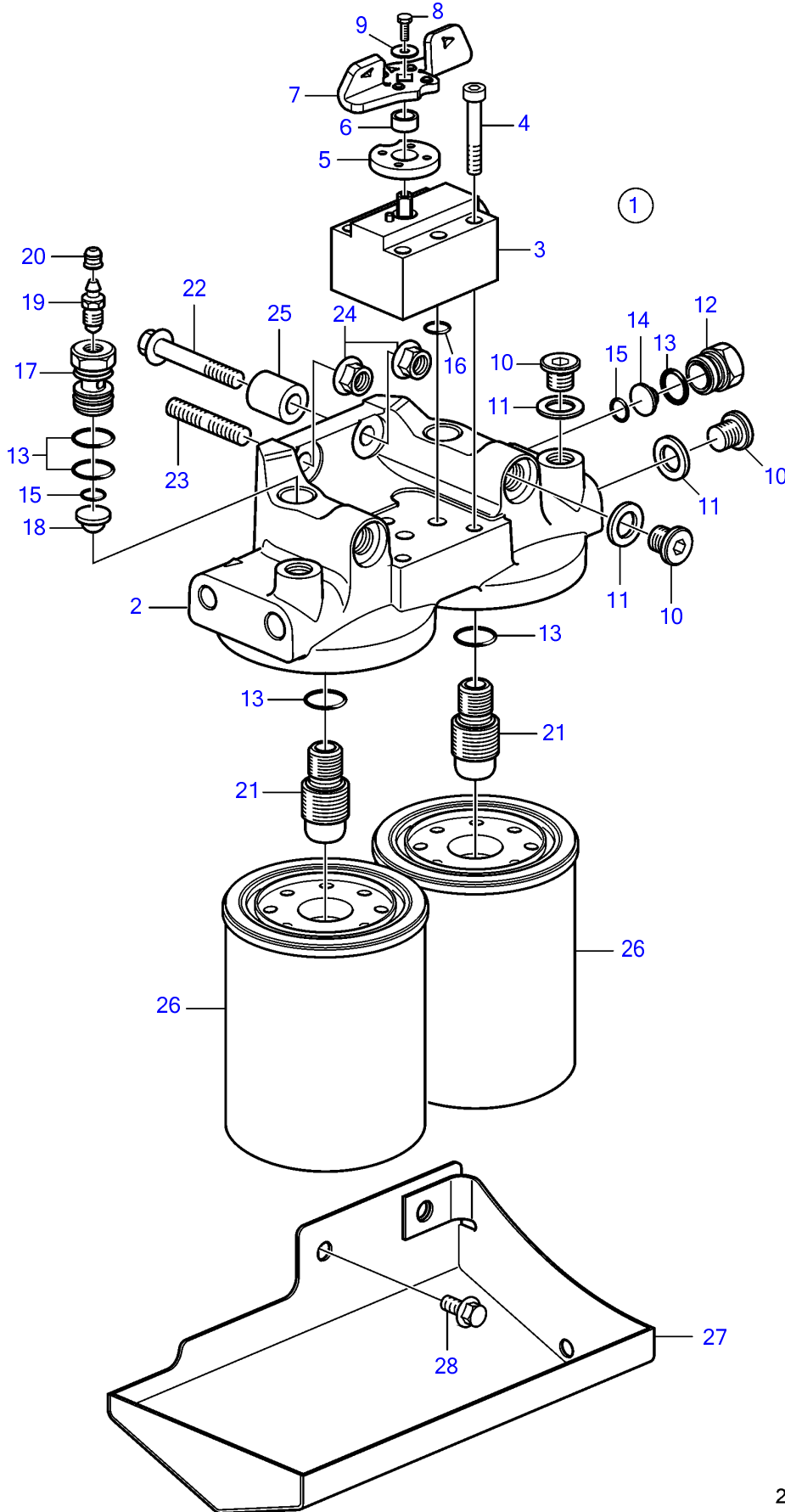


D13B-F MG



25922

D13B-F MG

REF	PART NO.	QTY	DESCRIPTION	NOTES
1	21364381	1	Fuel filter housing	
2		1	• Fuel filter housing	
3	3835369	1	• Valve body	
4	959227	3	• Hex. socket screw	
5		1	• Plate	
6		1	• Spacer	
7		1	• Handle	
8	(984548)	1	• Hexagon screw	Obsolete part
9	960137	1	• Washer	
10	966143	5	• Plug	
11	20852765	5	• Sealing ring	
12	21140340	1	• Nipple	
13	1526474	7	• O-ring	
14	21113993	1	• Check valve	
15	976971	3	• O-ring	
16	944364	3	• O-ring	
17	3835370	2	• Nipple	
18	244834	2	• Valve	
19	20548012	2	• Faucet	
20	20547976	2	• Protecting cover	
21	21511163	2	• Nipple	
22	984757	1	• Flange screw	
23	953071	1	• Stud	
24	971095	2	• Flange nut	
25	843028	1	• Spacer sleeve	
26	3888460	2	Fuel filter	
27	21335065	1	Spill plate	
28	946440	2	Flange screw	