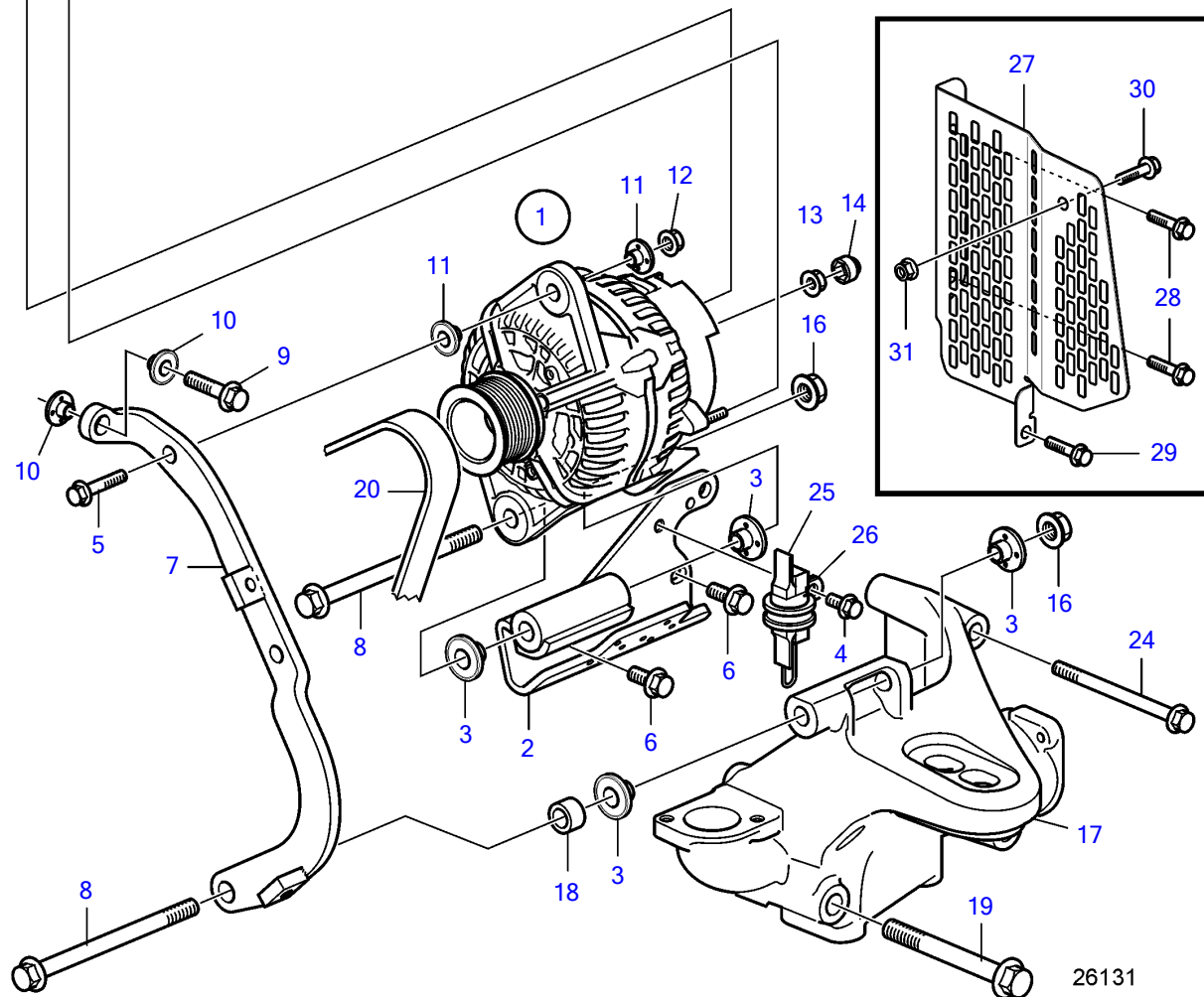
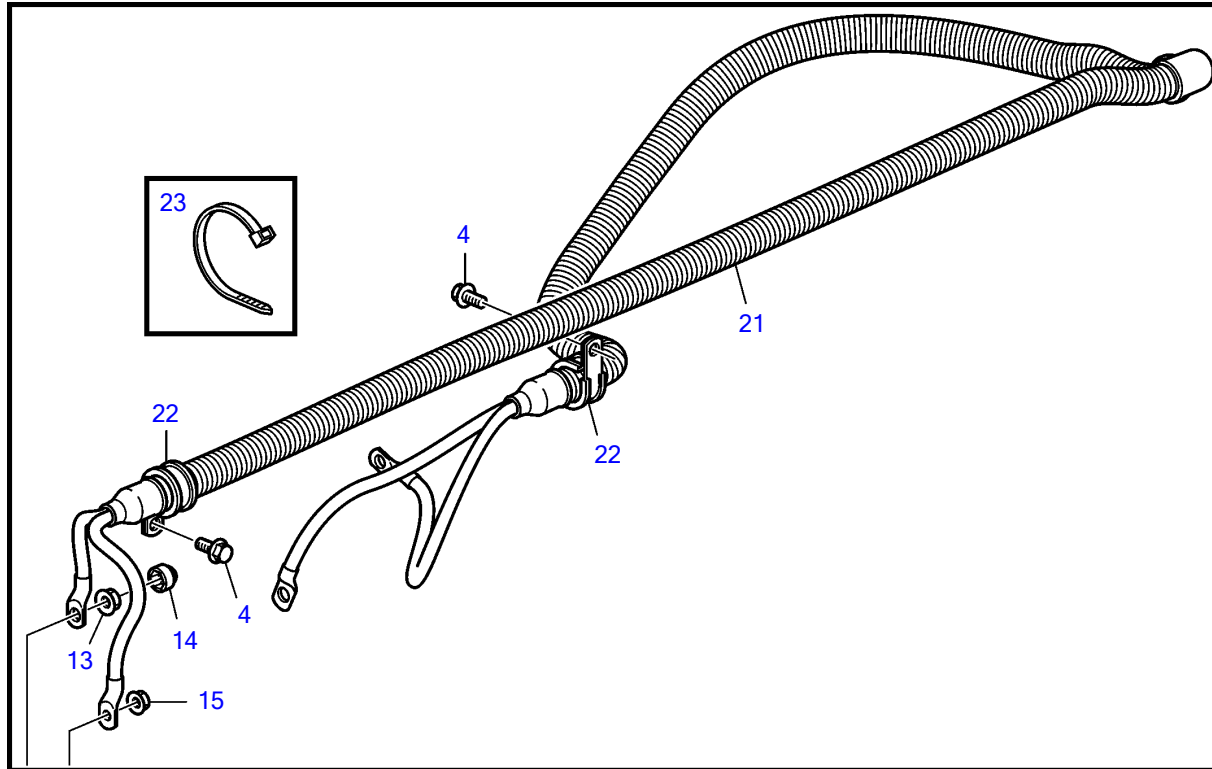


D13B-F MG



Upd:2012-02-21

26131

47702500-30-37063

D13B-F MG

REF	PART NO.	QTY	DESCRIPTION	NOTES
1	21429786	1	Alternator • parts not sold separately	28V 110A
2	21421863	1	Alternator bracket	
3	21308514	4	Insulating bushing	
4	946441	3	Flange screw	
5	947760	2	Flange screw	
6	946440	2	Flange screw	
7	3888085	1	Alternator bracket	
8	979935	2	Flange screw	
9	965185	1	Flange screw	
10	21308512	2	Insulating bushing	
11	21328137	2	Insulating bushing	
12	948645	1	Flange lock nut	
13	983715	2	Hexagon nut	
14	20576874	2	Cap plug	
15	983714	1	Hexagon nut	
16	971099	2	Flange lock nut	
17	21256248	1	Engine bracket	
18	1678297	1	Spacer sleeve	
19	968902	4	Flange screw	
20	20430615	1	V-ribbed belt	
	995163	1	V-ribbed belt	For HE and KC cooled engines
	20464710	1	V-ribbed belt	For RC cooled engines
21	21100789	1	Wiring harness	
22	947827	2	Clamp	
23	948211	X	Cable tie	
24	975107	1	Flange screw	
25	21216813	1	Diode unit	
26	949379	1	Clamp	
27	21809827	1	Protecting screen	No alternator
28	946441	2	Flange screw	
29	946440	1	Flange screw	
30	945408	1	Flange nut	
31	946671	1	Flange screw	