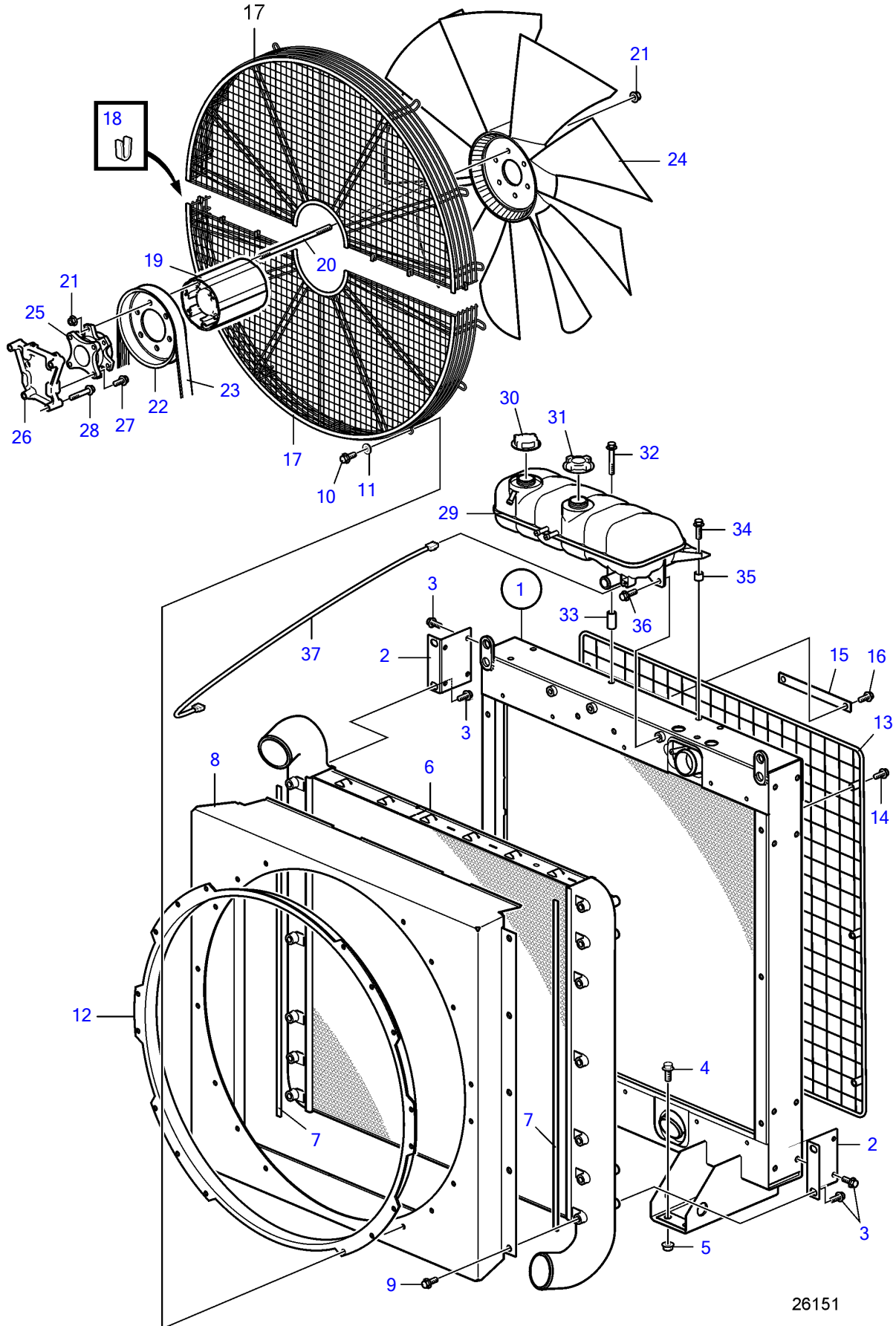


D13B-F MG



D13B-F MG

REF	PART NO.	QTY	DESCRIPTION	NOTES
1	21146121	1	Radiator	
2	40005104	1	Bracket	
3		12	Screw	
4	946817	8	Flange screw	
5	971096	8	Flange nut	
6	40005102	1	Intercooler	
7		2	Seal	
8	40005100	1	Fan shroud	
9	946440	16	Flange screw	
10	946173	12	Flange screw	
11	976944	12	Washer	
12	3827612	1	Fan ring	
13	3827871	1	Radiator protector	
14	948217	6	Flange screw	
15	846118	1	Emblem	
16	941651	2	Cross recessed sunk	
17	21316435	2	Fan guard	
18		6	• Clamp	
19	3595252	1	Fan hub	
20	969199	6	Stud	
21	971095	12	Flange nut	
22	3829958	1	Pulley	D=227mm, Ratio 0.99:1
23	3886349	1	Fan belt	For pulley 3829958
24	3594168	1	Fan	
25	21536967	1	Fan hub	
26	3886350	3	Bracket	
27	946752	4	Flange screw	
28	984757	4	Flange screw	
29	1674916	1	Expansion tank	
30	1674083	1	• Pressure cap	
31	1674922	1	• Filler cap	
32	947790	1	Flange screw	
33	3830771	1	Spacer sleeve	
34	965220	1	Flange screw	
35	843028	1	Spacer sleeve	
36	946471	3	Flange screw	
37	3594069	1	Wiring harness	